

# PLANS OF PROPOSED P.P.C.C. BRIDGE OVER ON

**LENGTH** 24 368 OUT TO OUT OF ABUTMENT PRECAST BACKWALL PANELS

**SUPERSTRUCTURE** TWO SIMPLY SUPPORTED SPAN OF PRECAST PRESTRESSED CONCRETE CHANNEL GIRDERS WITH ASPHALT OVERLAY

**SUBSTRUCTURE** TWO PRECAST CONCRETE ABUTMENTS AND ONE INTERMEDIATE BENT WITH STEEL H-PILES

**ROADWAY WIDTH** 9 600 OUT TO OUT OF GIRDERS

**LOCATION** IN R.M. OF

## SHEET LEGEND

1. COVER SHEET
  2. GENERAL ELEVATION
  3. BORING LOGS
  4. SITE AND EROSION CONTROL DETAILS
  5. ASSEMBLY DETAILS
  6. ASSEMBLY DETAILS
  7. STEEL PILE CAP DETAILS
  8. STEEL PILE CAP DETAILS
  9. BEARING AND ERECTION DETAILS
  10. RAILING LAYOUT AND DETAILS
  11. RAILING DETAILS
  12. RAILPOST DETAILS
- P1. PRECAST PANEL DETAILS  
P2. PRECAST PANEL DETAILS
- G1. PRECAST PRESTRESSED CHANNEL GIRDER DETAILS  
G2. PRECAST PRESTRESSED CHANNEL GIRDER DETAILS  
G3. PRECAST PRESTRESSED CHANNEL GIRDER DETAILS  
G4. PRECAST PRESTRESSED CHANNEL GIRDER DETAILS  
G5. PRECAST PRESTRESSED CHANNEL GIRDER DETAILS

## DESIGN DATA

### SPECIFICATIONS

AASHTO LRFD Bridge Design Specifications, First Edition, 1994 plus 1996/97 Interims

### VEHICULAR LIVE LOADING

1. Modified AASHTO HSS-25 Truck
2. AASHTO LRFD "HL-93" Loading

### STRUCTURAL CONCRETE

CSA A23.1, Exposure Class C-1 Air content category 1

1. PRECAST PRESTRESSED CONCRETE CHANNEL GIRDERS -  $f_c = 45$  MPa at 28 days  
 $f_{ci} = 35$  MPa at time of de-stressing
2. PRECAST PANELS -  $f_c = 35$  MPa

### REINFORCING STEEL

1. PRECAST PRESTRESSED CONCRETE CHANNEL GIRDERS - CAN/CSA-G30.18-M92 Grade 400W black (i.e no epoxy coating)
2. PRECAST PANELS - CAN/CSA-G30.18-M92 Grade 400W black (i.e no epoxy coating)

### STRUCTURAL STEEL

1. All Structural Steel shall conform to CAN/CSA G40.21-M92 Grade 300W
2. HSS Tubing for Bridge Rail shall conform to CAN/CSA-G40.21-M92 Grade 350W

### PRESTRESSING STRAND

20-13 # low relaxation strands,  $f_{pu} = 1860$  MPa

### PILE LOADING

MAXIMUM FACTORED LOAD  
FACTORED BEARING RESISTANCE

END PILE BENTS  
KN  
KN

INTERMEDIATE PILE BENTS  
KN  
KN

## HYDRAULIC DESIGN DATA

### DESIGN DISCHARGE

Q3%  $\frac{m^3}{sec}$   
V3%  $\frac{m}{s}$

## SURVEY CONTROL

HORIZONTAL DATUM: NAD83CSRS

VERTICAL DATUM: CGVD28

ELLIPSOID: GRS 1980

GEOID (HT2.0): \_\_\_\_\_

UTM: ZONE \_\_\_\_\_

SCALE FACTOR: \_\_\_\_\_

### SITE CONTROL POINT DATA

CONTROL POINT #-----	NORTHING: _____	_____
	EASTING: _____	_____
	ELEVATION: _____	_____
	DATE: _____	_____
CONTROL POINT #-----	NORTHING: _____	_____
	EASTING: _____	_____
	ELEVATION: _____	_____
	DATE: _____	_____
CONTROL POINT #-----	NORTHING: _____	_____
	EASTING: _____	_____
	ELEVATION: _____	_____
	DATE: _____	_____



TP. -

RGE. -

## LOCATION MAP

Not to Scale

# MANITOBA INFRASTRUCTURE

WATER MANAGEMENT AND STRUCTURES

RELEASED FOR CONSTRUCTION BY :

EXECUTIVE DIRECTOR OF STRUCTURES

DATE \_\_\_\_\_

## ENVIRONMENTAL APPROVALS

- MANITOBA ENVIRONMENT ACT LICENCE  
DATE : \_\_\_\_\_  
FILE # : \_\_\_\_\_
- FISHERIES AND OCEANS CANADA - AUTHORIZATION OR REVIEW  
DATE : \_\_\_\_\_  
FILE # : \_\_\_\_\_
- TRANSPORT CANADA - NAVIGATION ACT  
DATE : \_\_\_\_\_  
FILE # : \_\_\_\_\_
- MANITOBA INFRASTRUCTURE ENVIRONMENTAL APPROVAL  
DATE : \_\_\_\_\_  
FILE # : \_\_\_\_\_
- ENVIRONMENTAL REVIEW COMPLETED  
DATE : \_\_\_\_\_  
COMPLETED BY : \_\_\_\_\_

ALL DIMENSIONS ARE IN MILLIMETRES (mm) AND ALL ELEVATIONS AND STATIONS ARE IN METRES (m) UNLESS SHOWN OTHERWISE.

DRAWN BY:

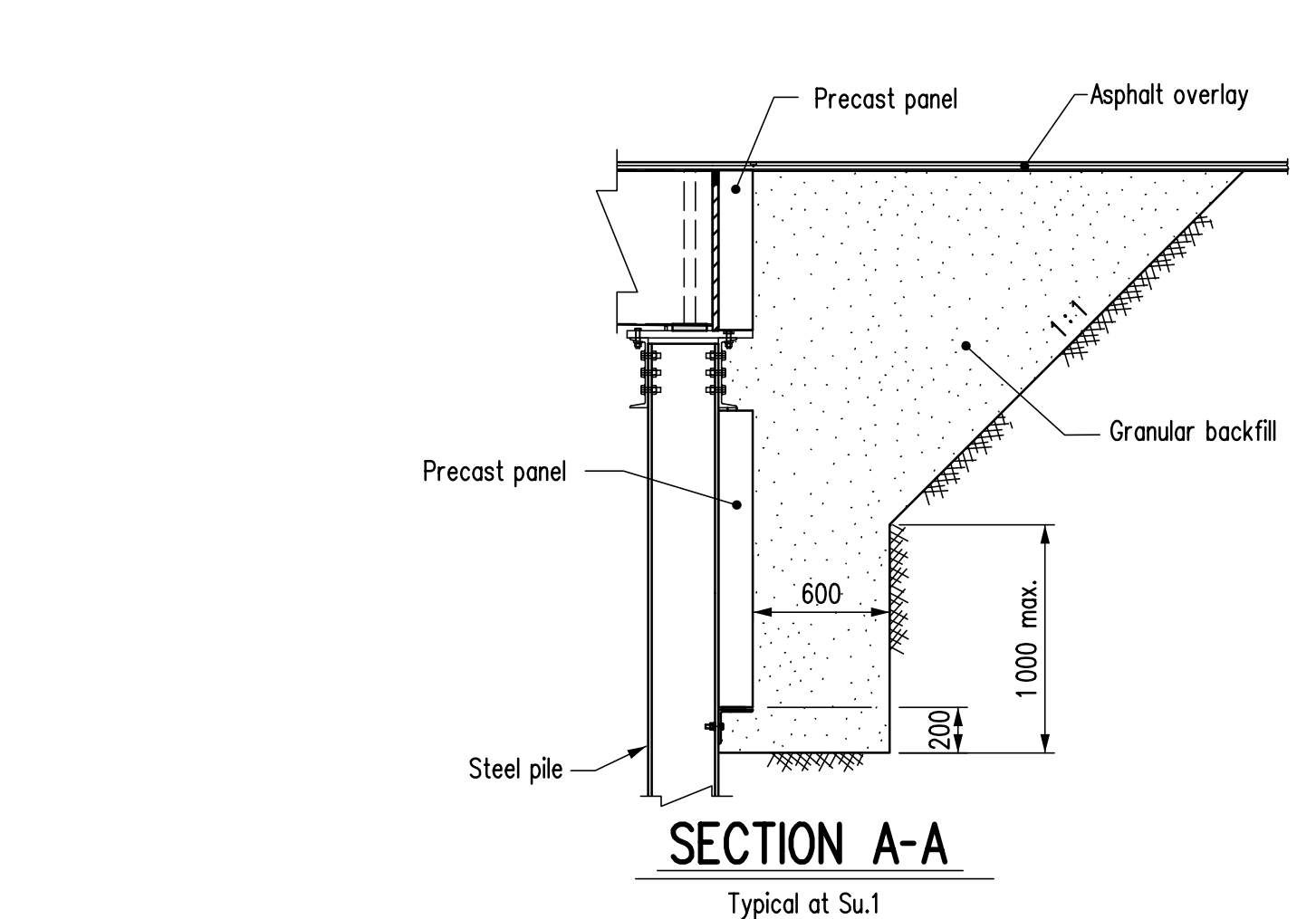
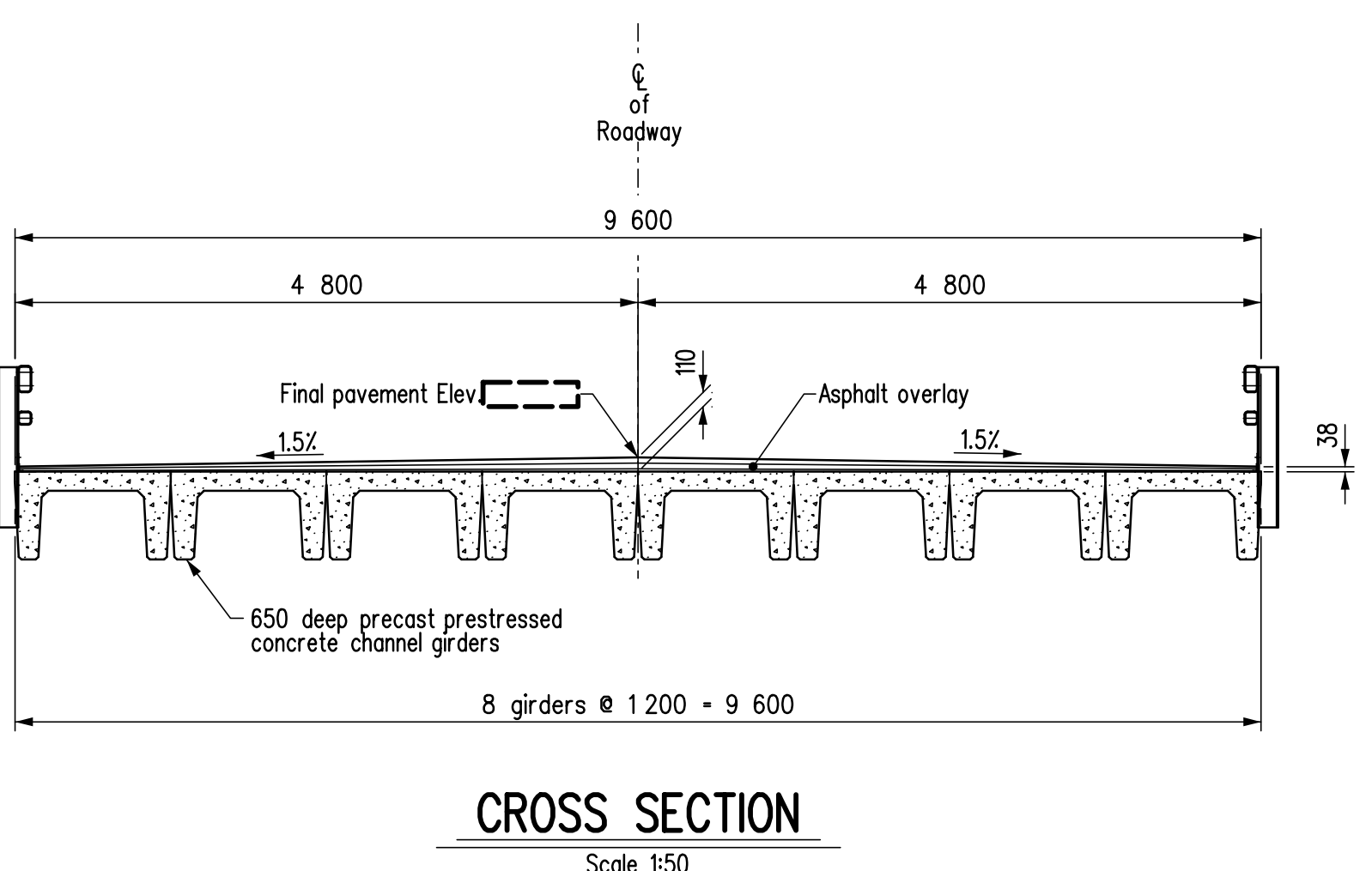
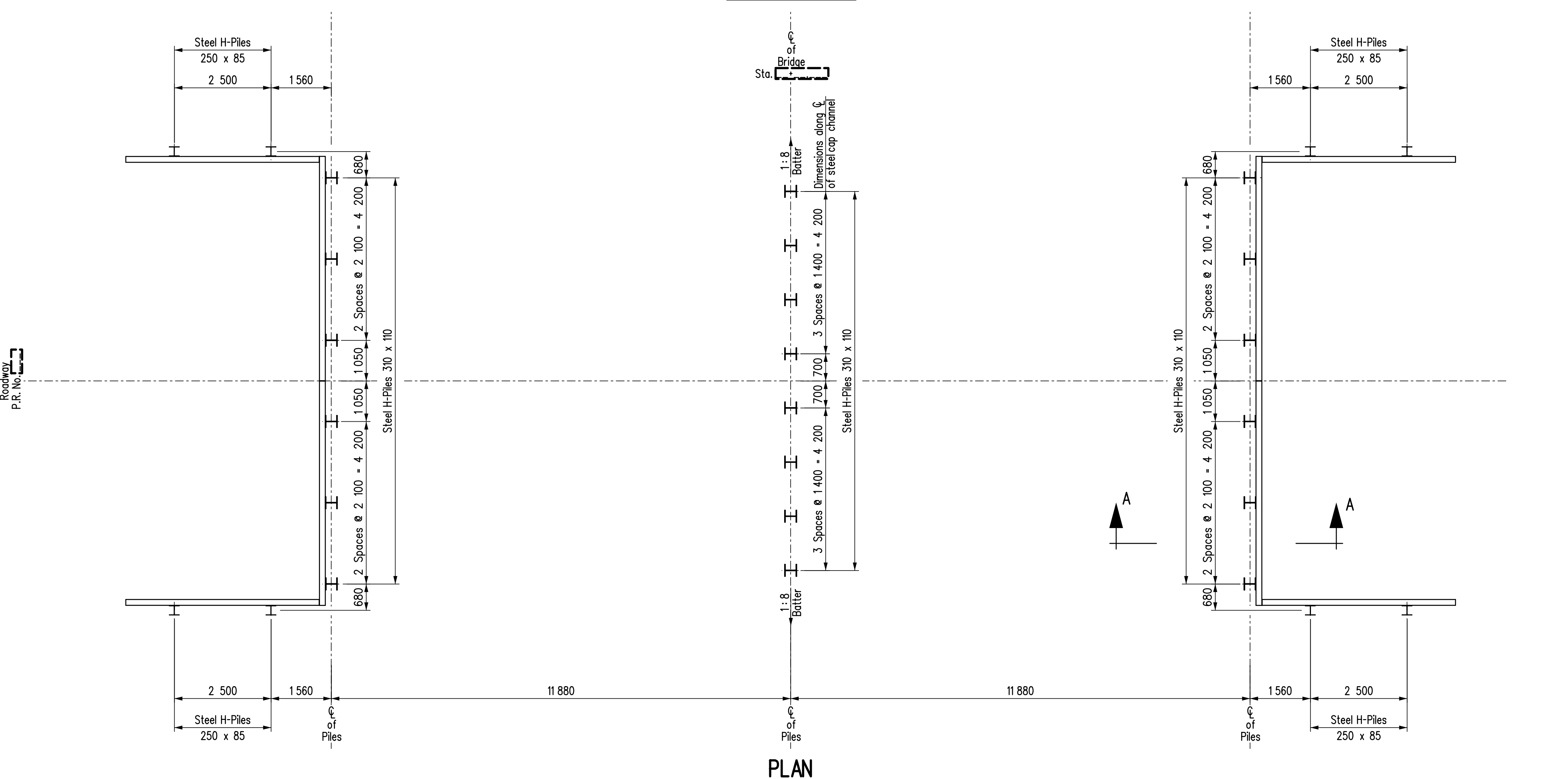
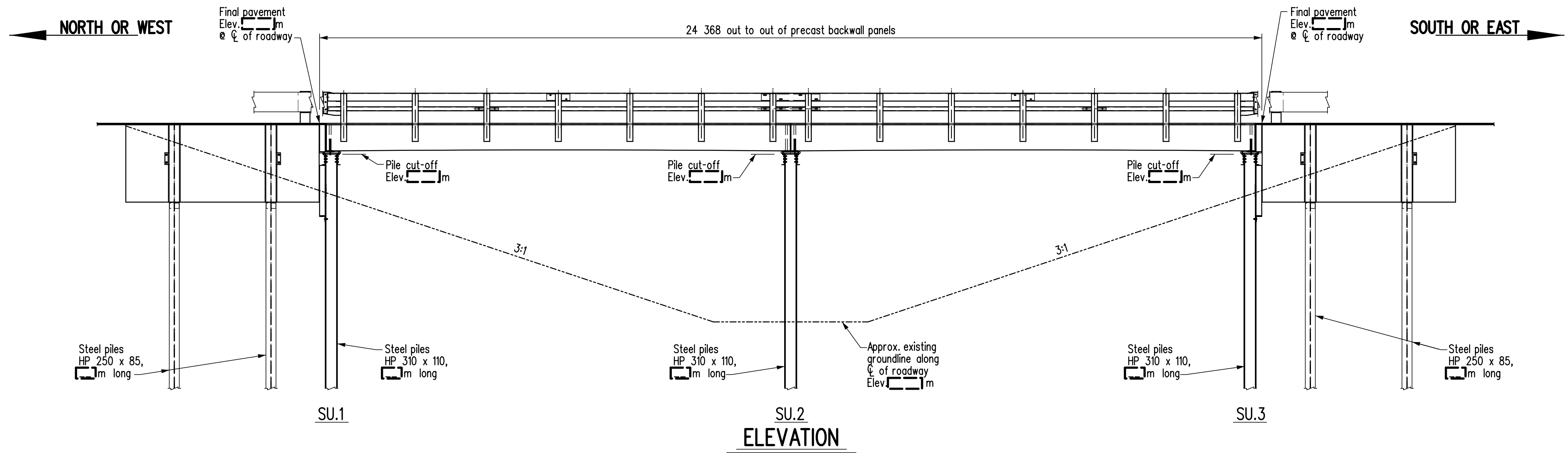
DATE:

SHEET No. 1

CHECKED BY:

DATE:

SITE No.

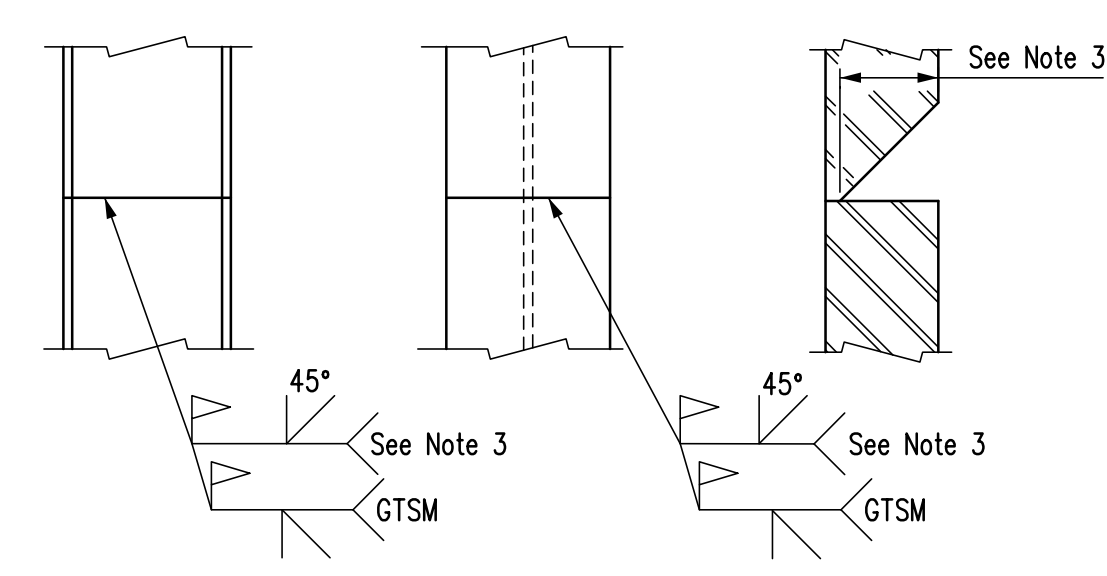


**NOTES:**  
 re: Backfill Behind Abutment Ballast Walls

- Backfill behind ballast wall and wingwall panels shall be Type 1 - Granular backfill supplied and placed in accordance with Bridge Specification 1001 (i). The granular backfill shall be placed and compacted in lifts not exceeding 150 mm.
- Compaction equipment used within 2 m of ballast walls and wingwalls shall be limited to light vibratory equipment with a mass not exceeding 120 kg unless otherwise approved.
- Steel pile tip to be PRUYN "Hard-Bite" or equivalent.

BILL OF PILES			Site No.	
LOCATION	DESCRIPTION	No. OF PILES	LENGTH	TOTAL LENGTH (m)
SU.1 & SU.3	Steel piles - HP310 x 110 (abutments)	12		0
SU.1 & SU.3	Steel piles - HP250 x 85 (wing walls)	8		0
				0
SU.2	Steel piles - HP310 x 110 (Intermediate bent)	8		0
				0
TOTAL LENGTH OF PILES (m) =				

BILL OF PILE TIPS		
LOCATION	DESCRIPTION	No. OF PILES
SU.1 & SU.3	Hard-Bite Point HP-77750-B for HP310 x 110 (Abutments)	12
SU.2	Hard-Bite Point HP-77750-B for HP310 x 110 (Intermediate bent)	8

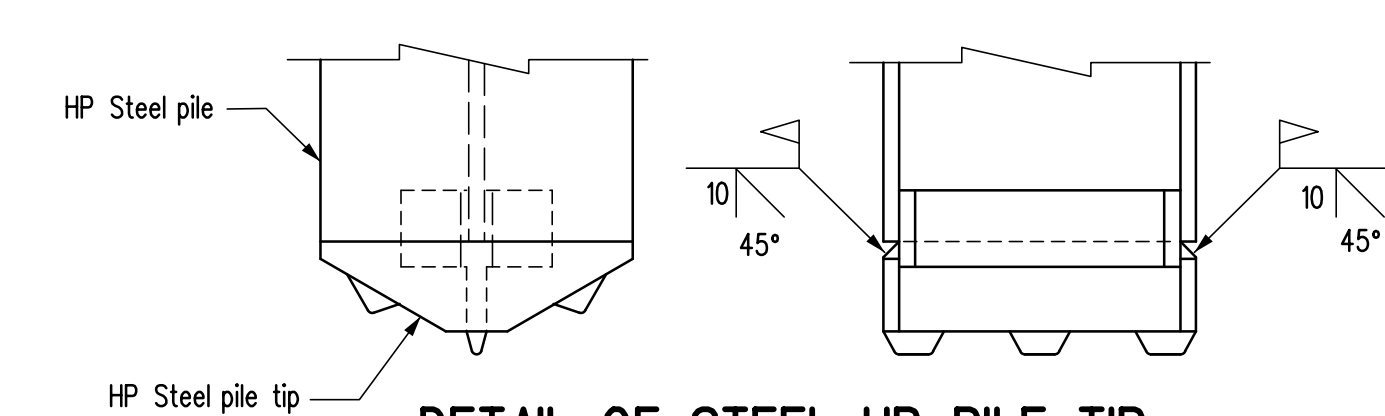


**DETAIL OF STEEL HP PILE SPLICE**  
 Not To Scale

**NOTES:**  
 re: Welding

- Low hydrogen \*E70 series electrodes shall be used.
- The minimum root pass shall be 6 mm.
- Preparation for welding requires 13 mm bevel for HP 250 piles and 14 mm bevel for HP 310 piles.
- Weld both flanges and web as shown. The inside bevelling and welds to be completed first.
- Before undertaking the back welds, the weld preparation shall be carried out with a carbon Arc-Air gouger.

\*E48018 equivalent metric electrode



**DETAIL OF STEEL HP PILE TIP**  
 Not To Scale

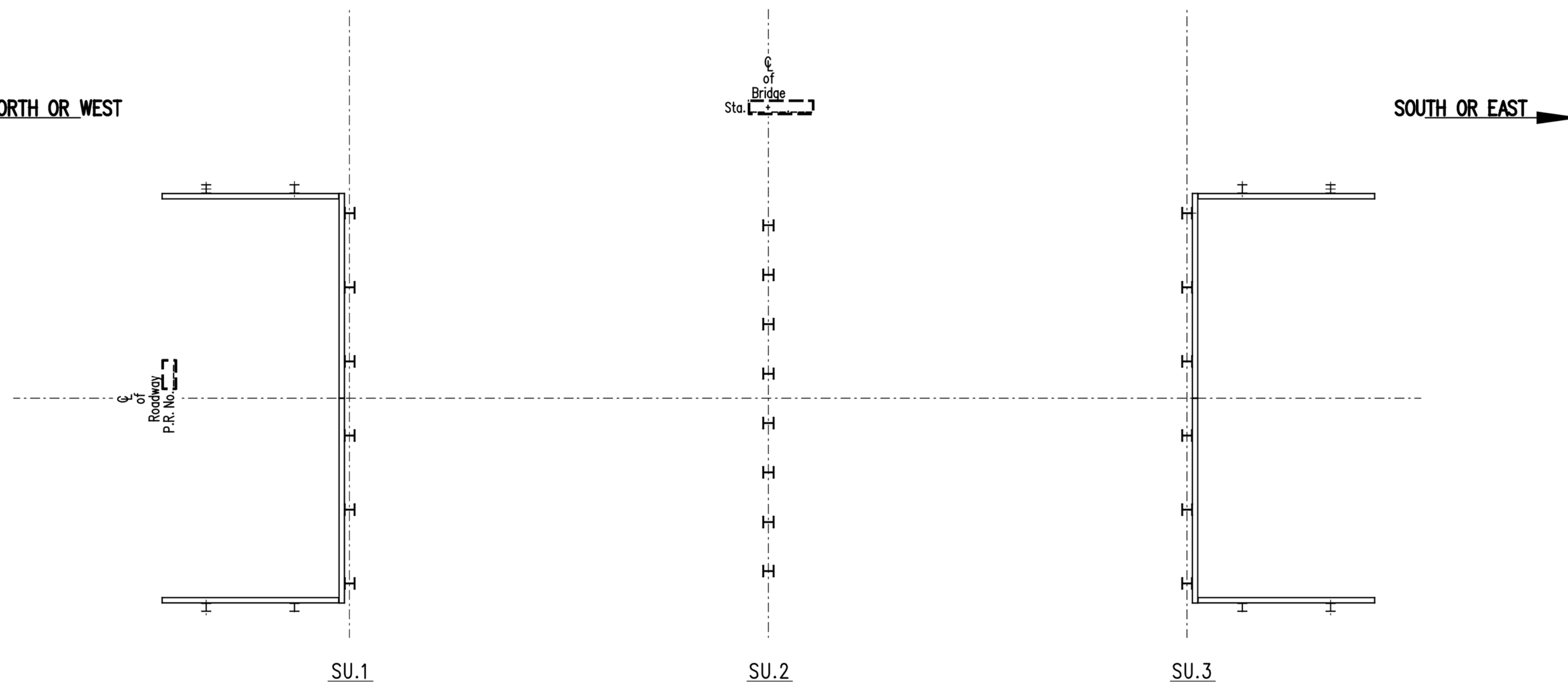
**NOTES:**

- Edges of HP Steel pile tip to be ground on 45° bevel for 10 mm.
- Low hydrogen \*E70 series electrodes shall be used.
- The minimum root pass shall be 6 mm.

\*E48018 equivalent metric electrode

REVISIONS		GENERAL ELEVATION			
DATE	BY	DESIGN	RECORD SEAL	RELEASED FOR CONSTRUCTION BY:	
				EXECUTIVE DIRECTOR OF STRUCTURES DATE	
<b>PLACE ENGINEERS ELECTRONIC SEAL HERE</b>				SCALE:	
				1:75	
				SHEET No. 2	
				or as shown SITE No.	

← NORTH OR WEST



→ SOUTH OR EAST

SU.1

SU.2

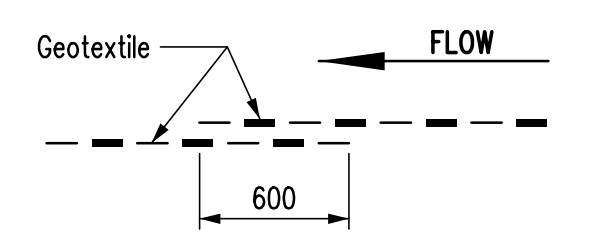
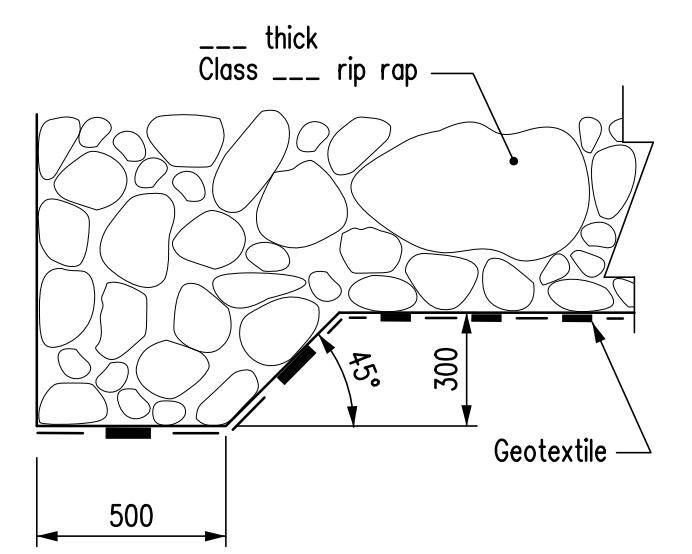
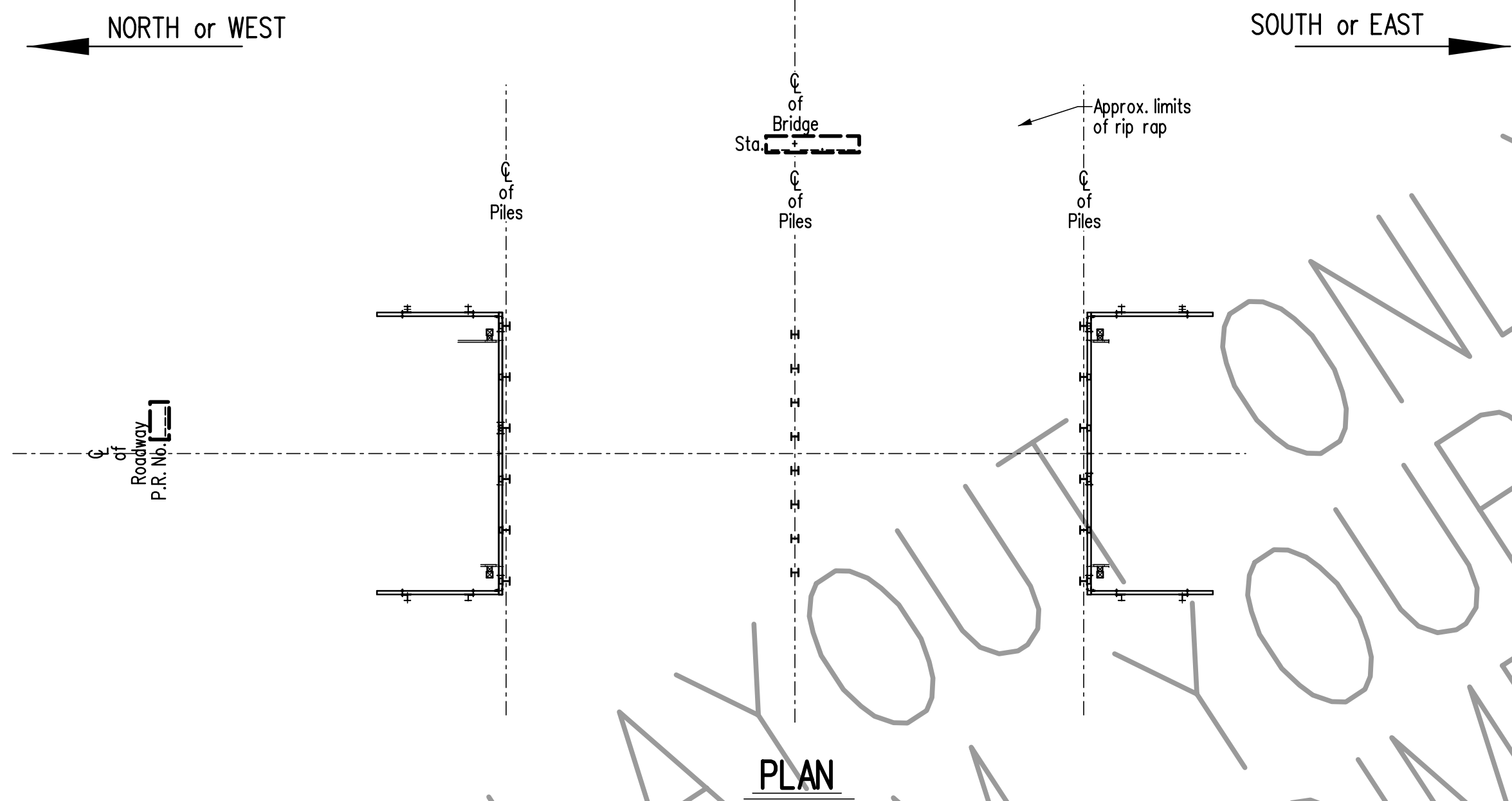
SU.3

**PLAN**  
Showing Bore Hole locations

**NOTES - re: Boring Logs**

1. The Department provides log boring information shown on the Plans. This information may not be representative of the soil conditions throughout the site. Contractors may peruse all available soil information in the Water Management and Structures Branch located at 6th floor, 215 Garry Street, Winnipeg.
2. The following abbreviations apply to bore hole information:  
 Qu - Laboratory unconfined compressive strength in kPa  
 SPT (N) - Number of blows per 300 mm - Standard Penetration Test  
 USC - Unified Soil Classification  
 M.C. - Moisture Content
3. All stations, elevations, offsets and depths as shown are in meters. All dimensions are in millimeters.
4. All bore hole locations shown in plan view are approximate.
5. Elevations on boring logs are at a vertical scale of 1:100.

REVISIONS		BORING LOGS	
DATE	BY	DESCRIPTION	
		DESIGN SEAL	RECORD SEAL
		<p>PLACE ENGINEERS ELECTRONIC SEAL HERE</p>	
		RELEASED FOR CONSTRUCTION BY: _____	
DESIGN	BY: _____	B.A.N.	EXECUTIVE DIRECTOR OF STRUCTURES DATE
CHECKED:	_____		SCALE: 1:100 SHEET No. 3
DETAILS	BY: _____	K.P.	or as shown SITE No. 111
CHECKED:	_____		



**RIP RAP DETAILS**

Not To Scale

- NOTES:**
1. All geotextile shall be Non-Woven Geotextile, Class I (Heavy Duty) from the Manitoba Infrastructure's Approved Product List.
  2. Geotextile shall be placed under all rip rap, overlapping 600mm in direction of flow.

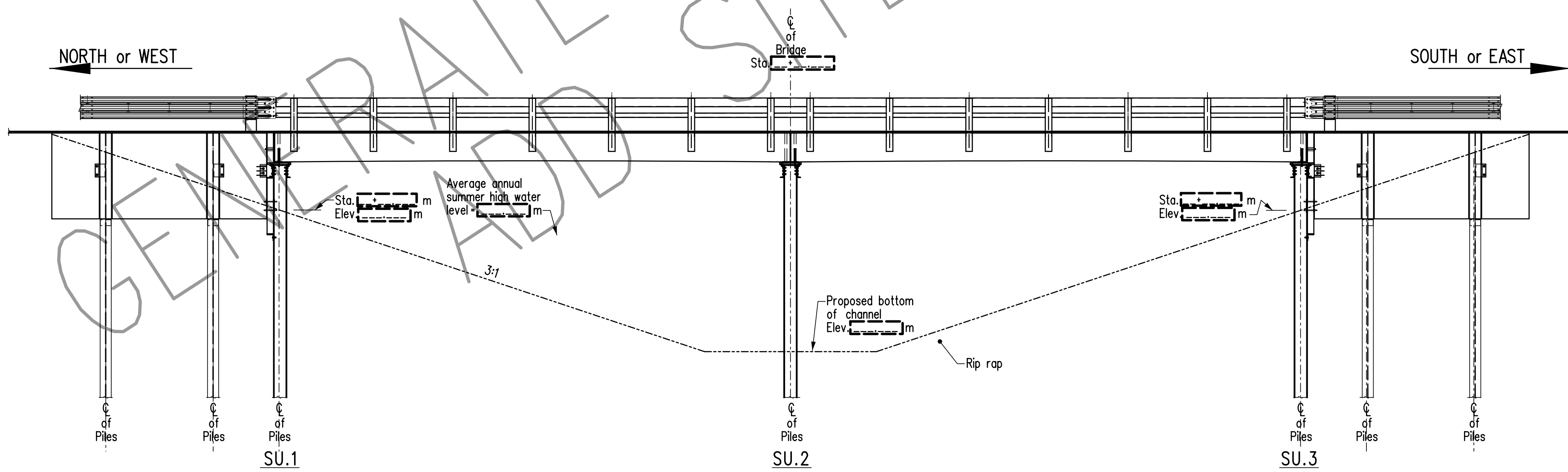
**NOTE:**  
Existing pile bents to be removed by Bridge Contractor.

REVISIONS	
DATE	DESCRIPTION

SITE AND EROSION CONTROL DETAILS	
RELEASED FOR CONSTRUCTION BY: _____	
EXECUTIVE DIRECTOR OF STRUCTURES DATE _____	

DATE	BY	DESCRIPTION

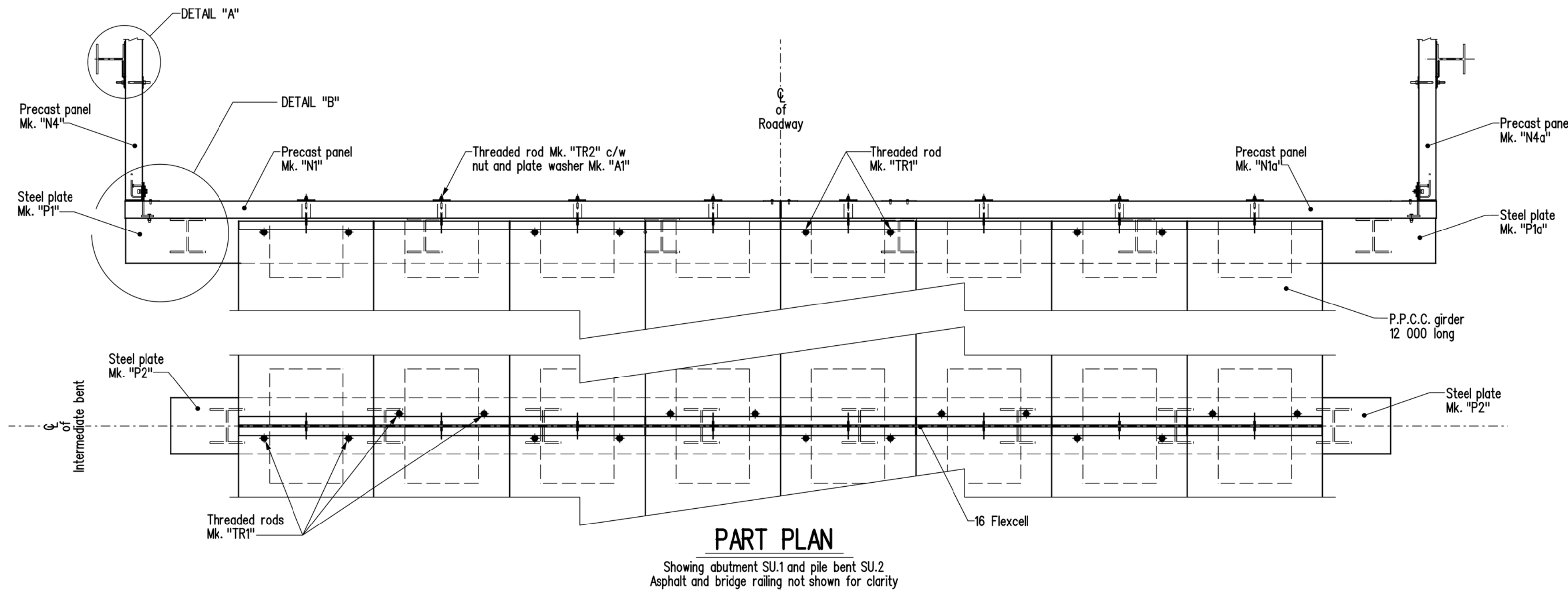
<b>Manitoba</b> Infrastructure Water Management and Structures	DESIGN	BY: _____	RELEASED FOR CONSTRUCTION BY: _____
	CHECKED: _____	DATE: _____	
DETAILS	BY: _____ K.P.	SCALE: 1:200	SHEET No. 4
	CHECKED: _____	or as shown	SITE No. _____



**UTILITY DISCLAIMER:**  
LOCATIONS OF UTILITIES AS SHOWN ARE BASED ON READILY AVAILABLE INFORMATION. NO GUARANTEE IS GIVEN THAT ALL UTILITIES ARE SHOWN OR THAT THE GIVEN LOCATIONS ARE EXACT. CONTRACTOR SHALL CONFIRM THE EXISTENCE AND LOCATION OF UTILITIES BY OBTAINING FROM THE INDIVIDUAL UTILITIES BEFORE PROCEEDING WITH CONSTRUCTION.

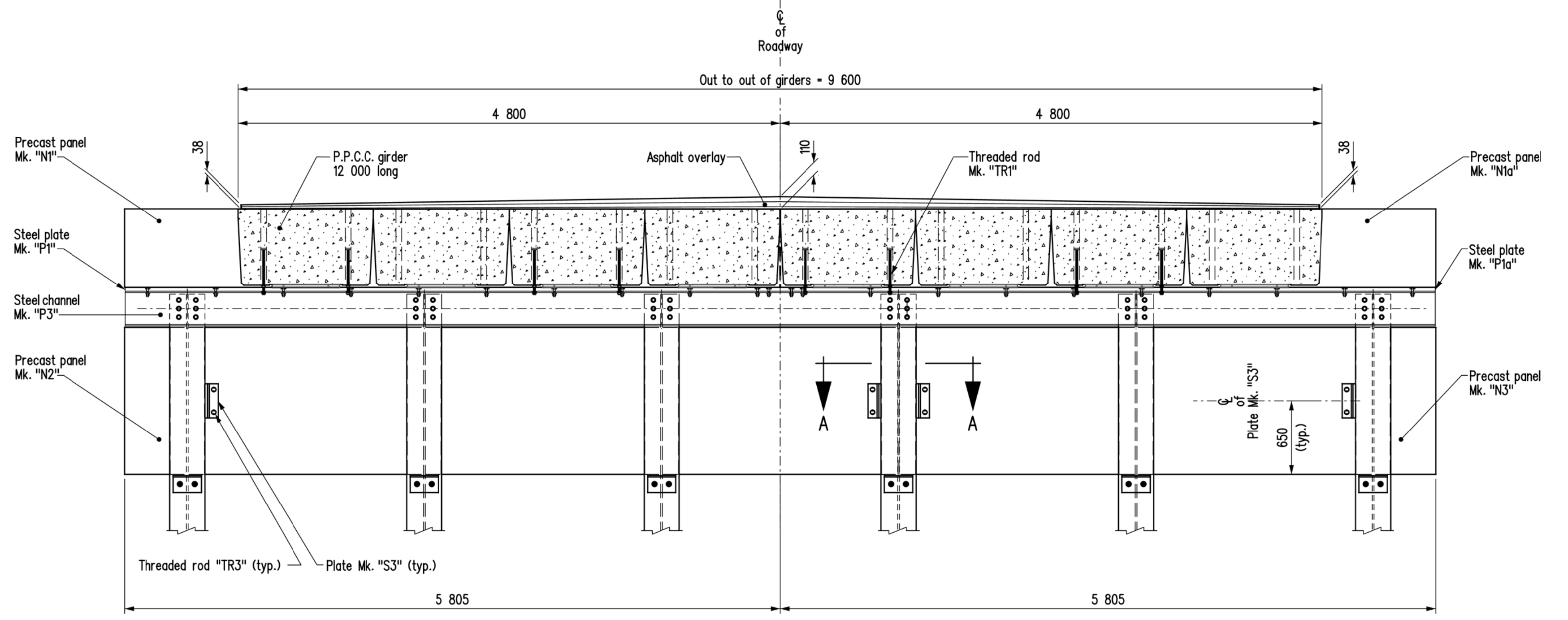
**PLACE ENGINEERS  
ELECTRONIC SEAL  
HERE**





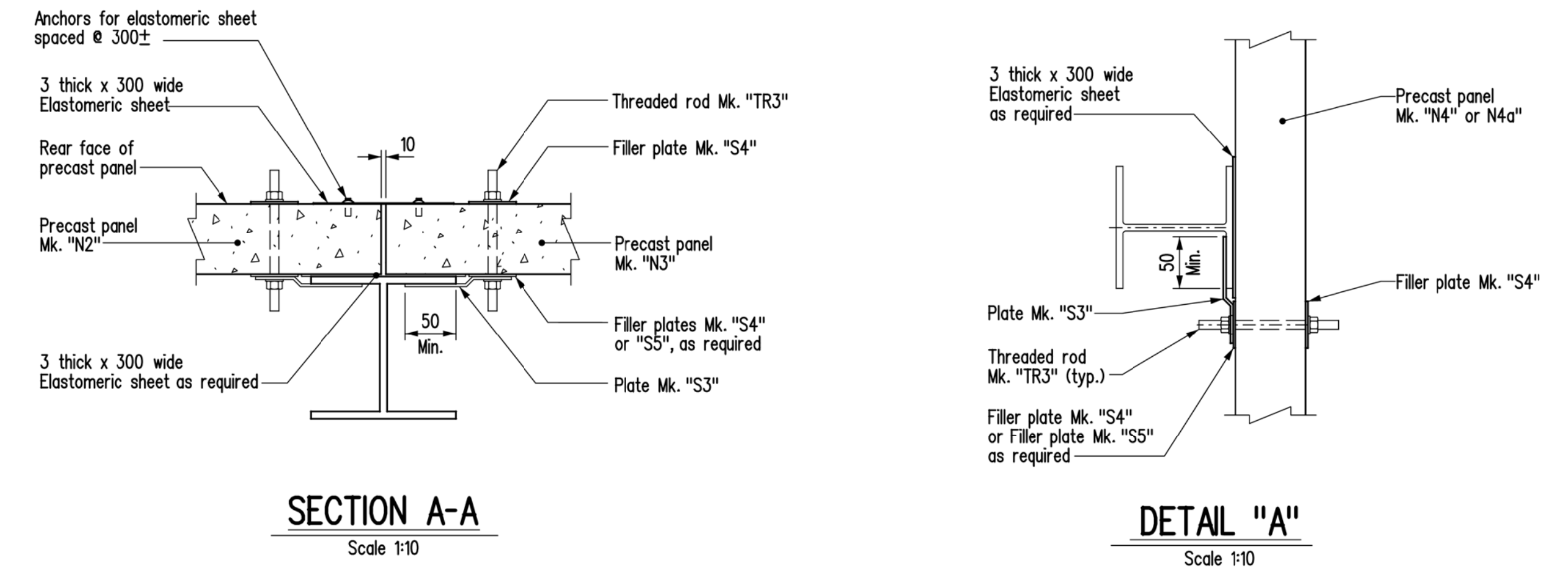
**PART PLAN**

Showing abutment SU.1 and pile bent SU.2  
Asphalt and bridge railing not shown for clarity



**FRONT VIEW AT ABUTMENT**

Bridge railing not shown for clarity

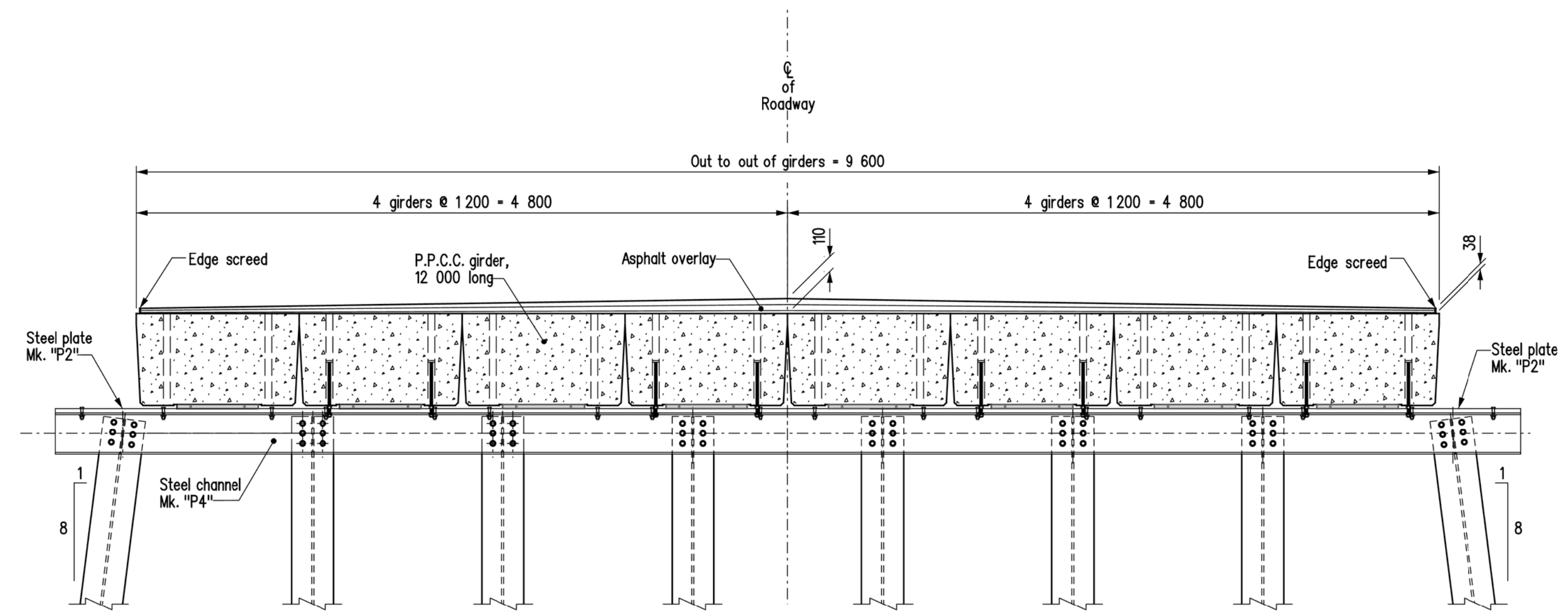


**SECTION A-A**

Scale 1:10

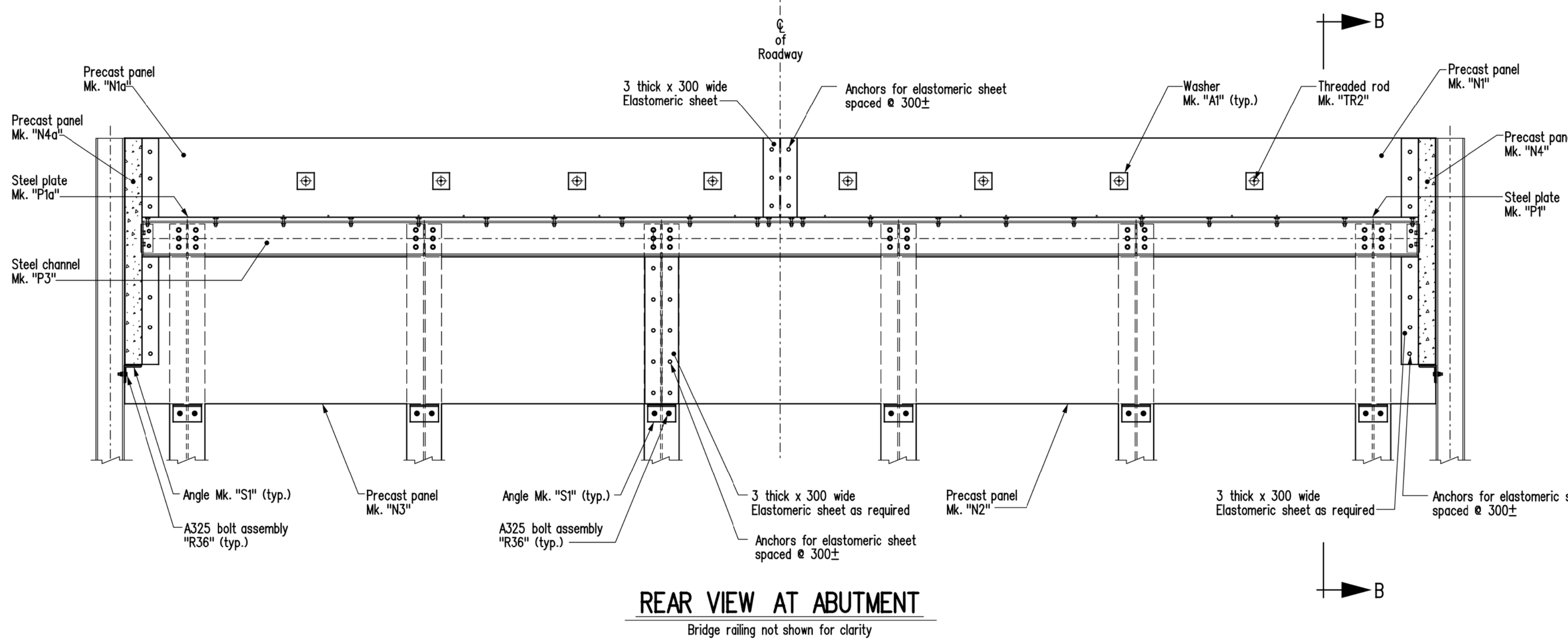
**DETAIL "A"**

Scale 1:10



**CROSS SECTION AT INTERMEDIATE PILE BENT**

Bridge railing and intermediate pile bent cross bracing not shown for clarity



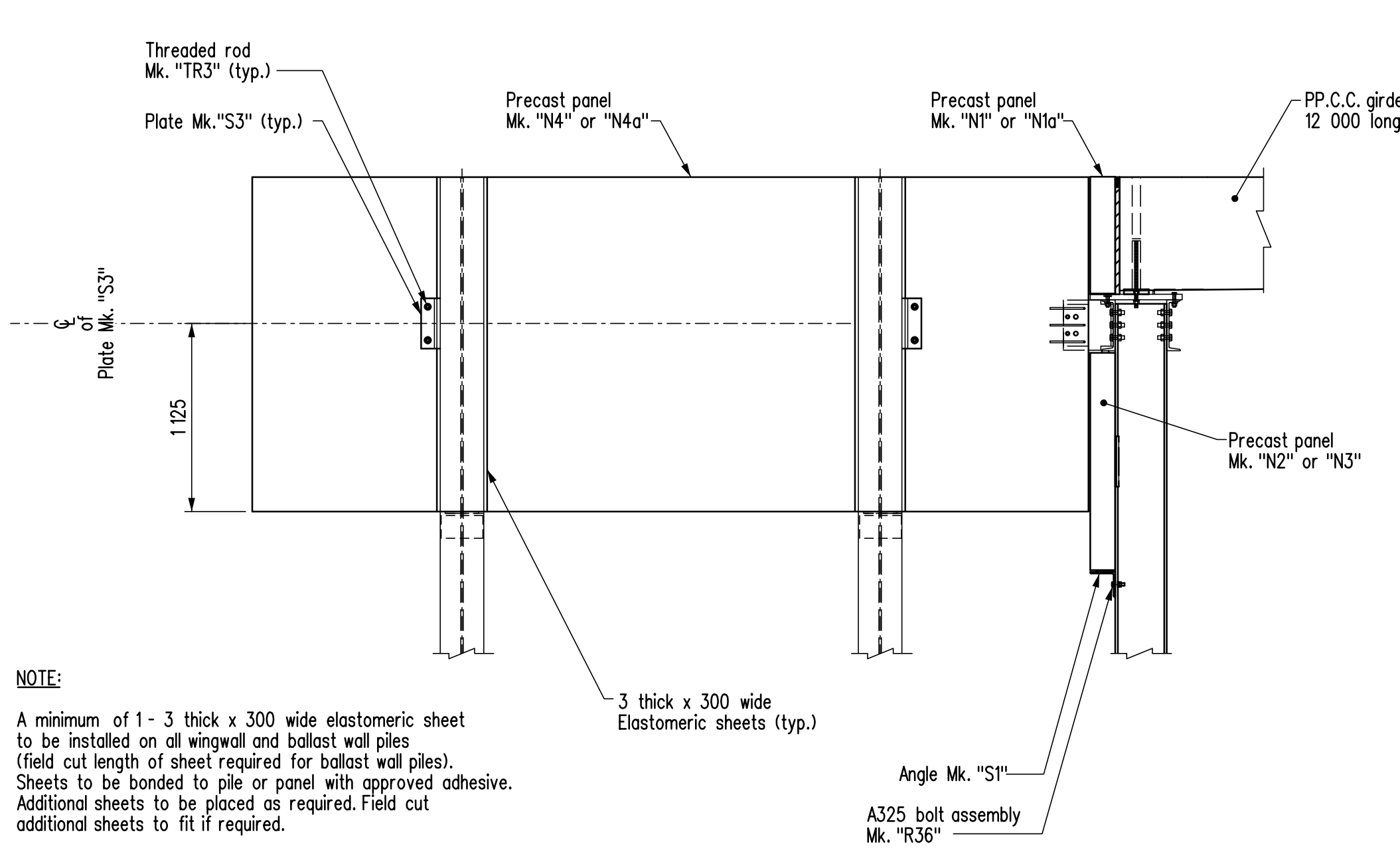
**REAR VIEW AT ABUTMENT**

Bridge railing not shown for clarity

**NOTES:**

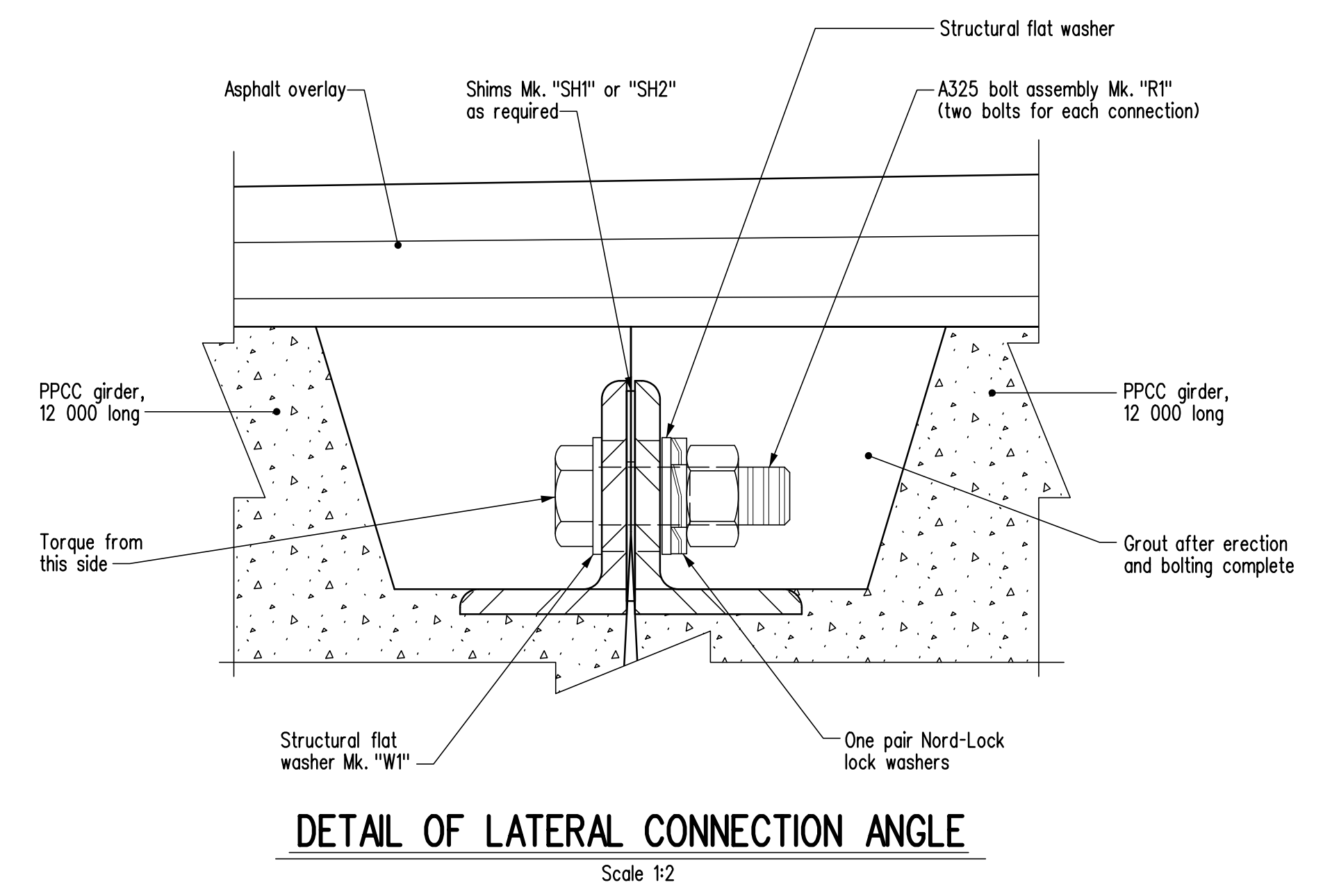
- For Section "B-B" and DETAIL "B" see Sheet No. [ ]
- For "BILL OF MISCELLANEOUS METAL" see Sheet No. [ ]
- The Contractor shall field drill 22 # holes in the precast panels for threaded rods Mk. "TR3". Should rebar be encountered, abandon hole, patch and drill in new location. Rebar locations are marked on the panels by the Panel Fabricator.
- Back faces of the upper and lower ballast walls shall be aligned in the same vertical plane.
- The Contractor shall ensure that the upper ballast walls are placed with the edge 5mm from  $\phi$  of roadway.

REVISIONS		ASSEMBLY DETAILS		
DATE	BY			
		 <b>Manitoba</b> Infrastructure Water Management and Structures		
		<b>PLACE ENGINEERS ELECTRONIC SEAL HERE</b>	RELEASED FOR CONSTRUCTION BY: _____ DATE: _____	
			DESIGN: BY: _____ B.A.N. CHECKED: _____ DETAILS: BY: _____ K.P. CHECKED: _____	EXECUTIVE DIRECTOR OF STRUCTURES: _____ DATE: _____ SCALE: 1:30 SHEET No. 6 or as shown SITE No. [ ]

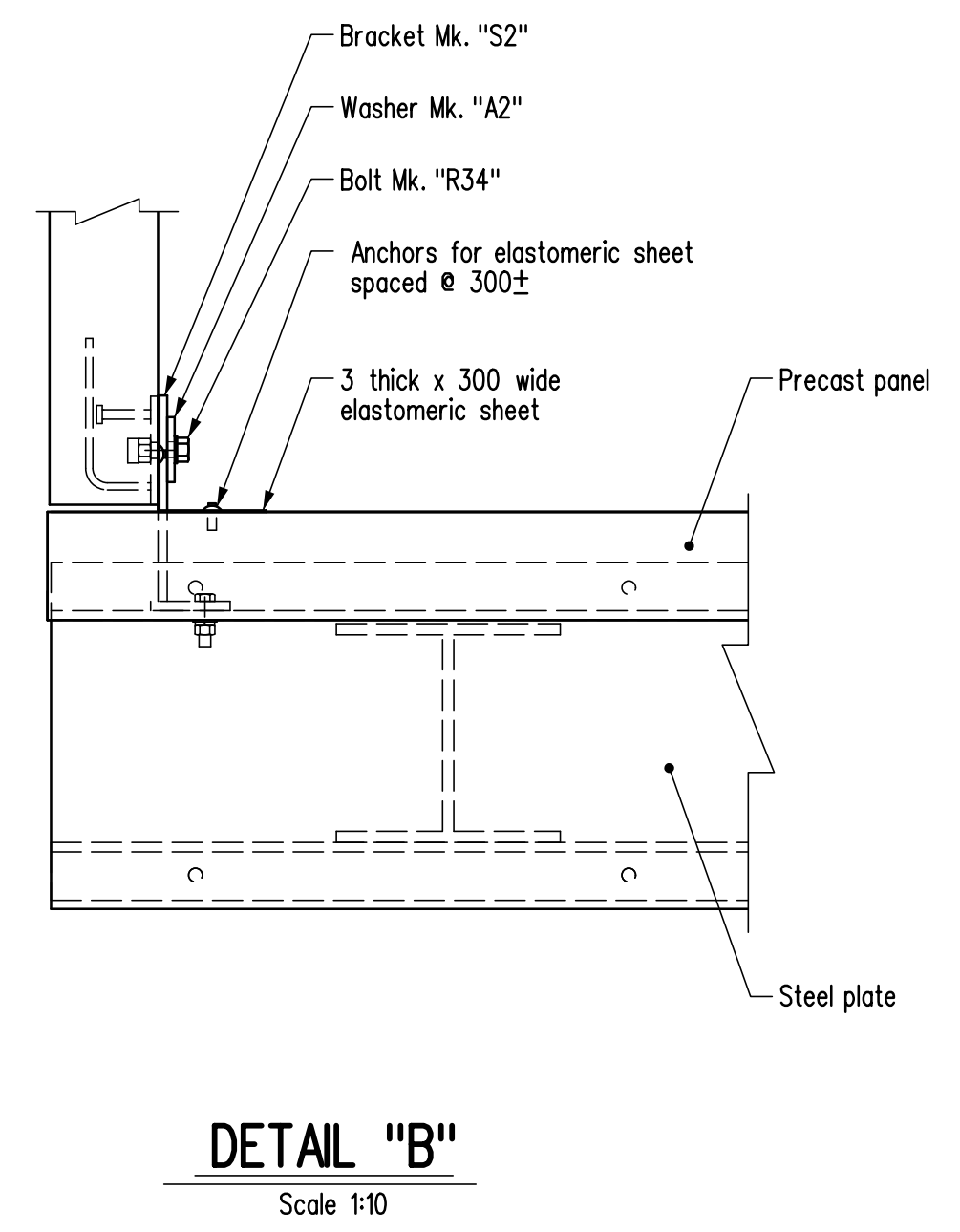


NOTE:  
A minimum of 1 - 3 thick x 300 wide elastomeric sheet to be installed on all wingwall and ballast wall piles (field cut length of sheet required for ballast wall piles). Sheets to be bonded to pile or panel with approved adhesive. Additional sheets to be placed as required. Field cut additional sheets to fit if required.

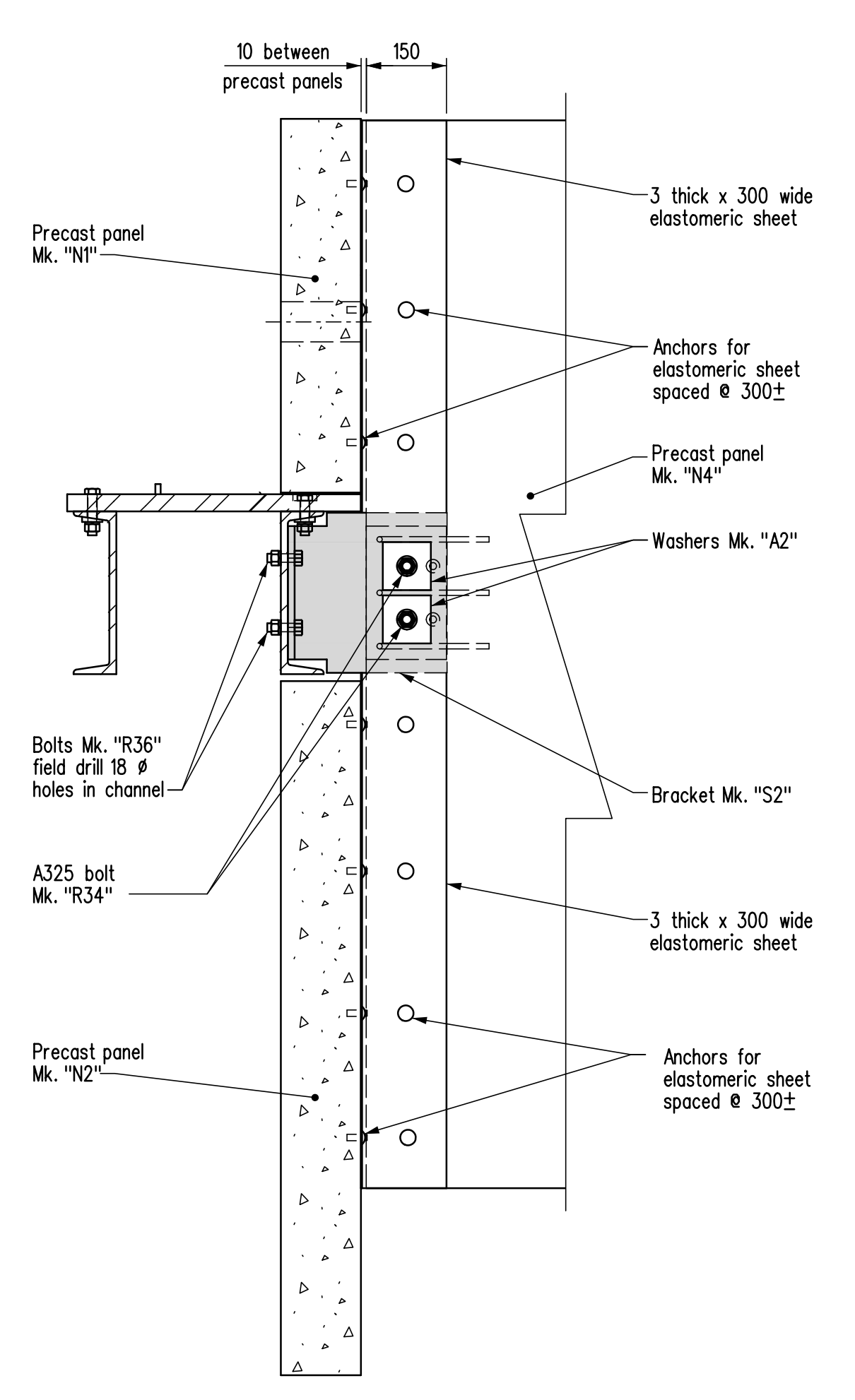
**PART SIDE ELEVATION**  
Bridge railing not shown for clarity



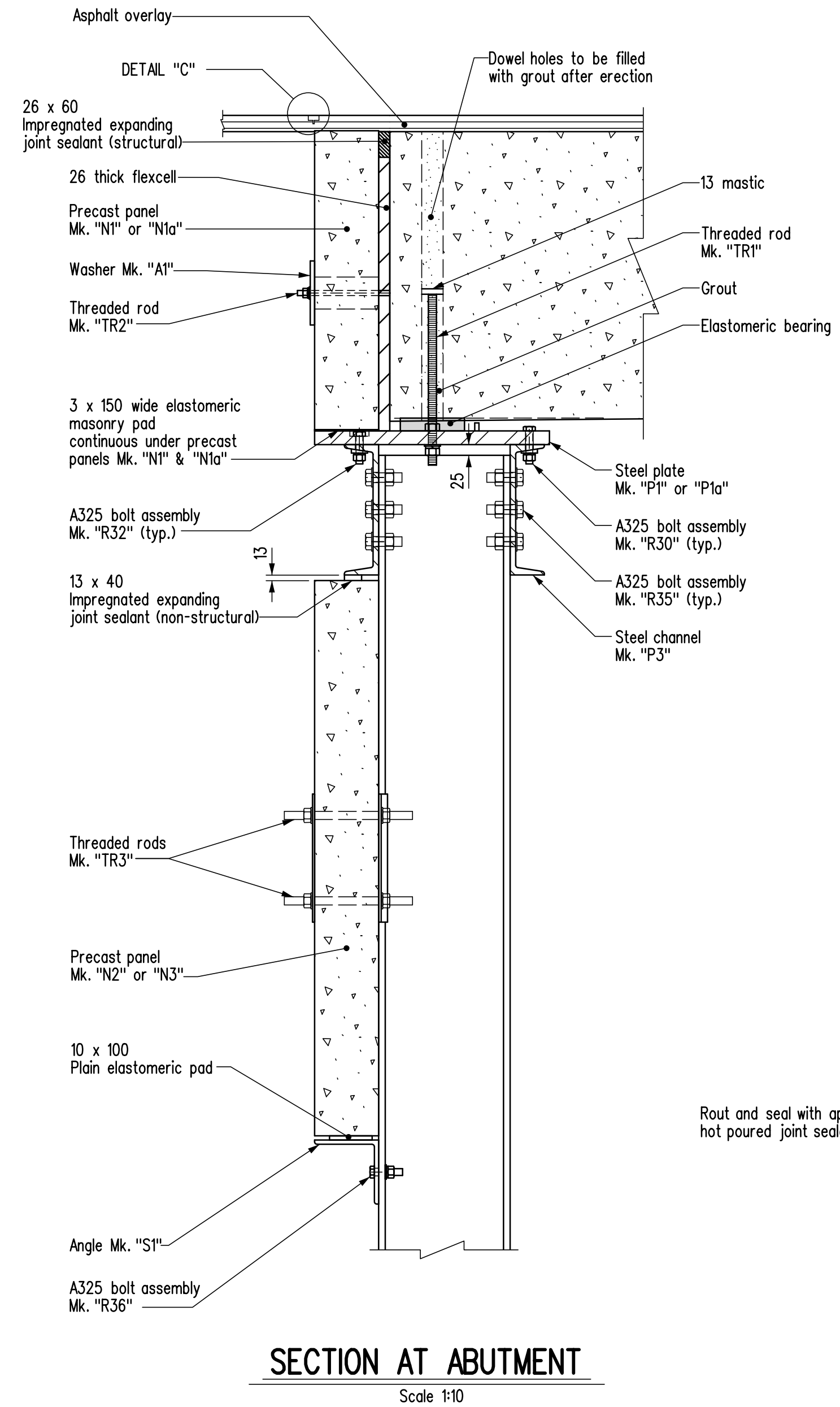
**DETAIL OF LATERAL CONNECTION ANGLE**  
Scale 1:2



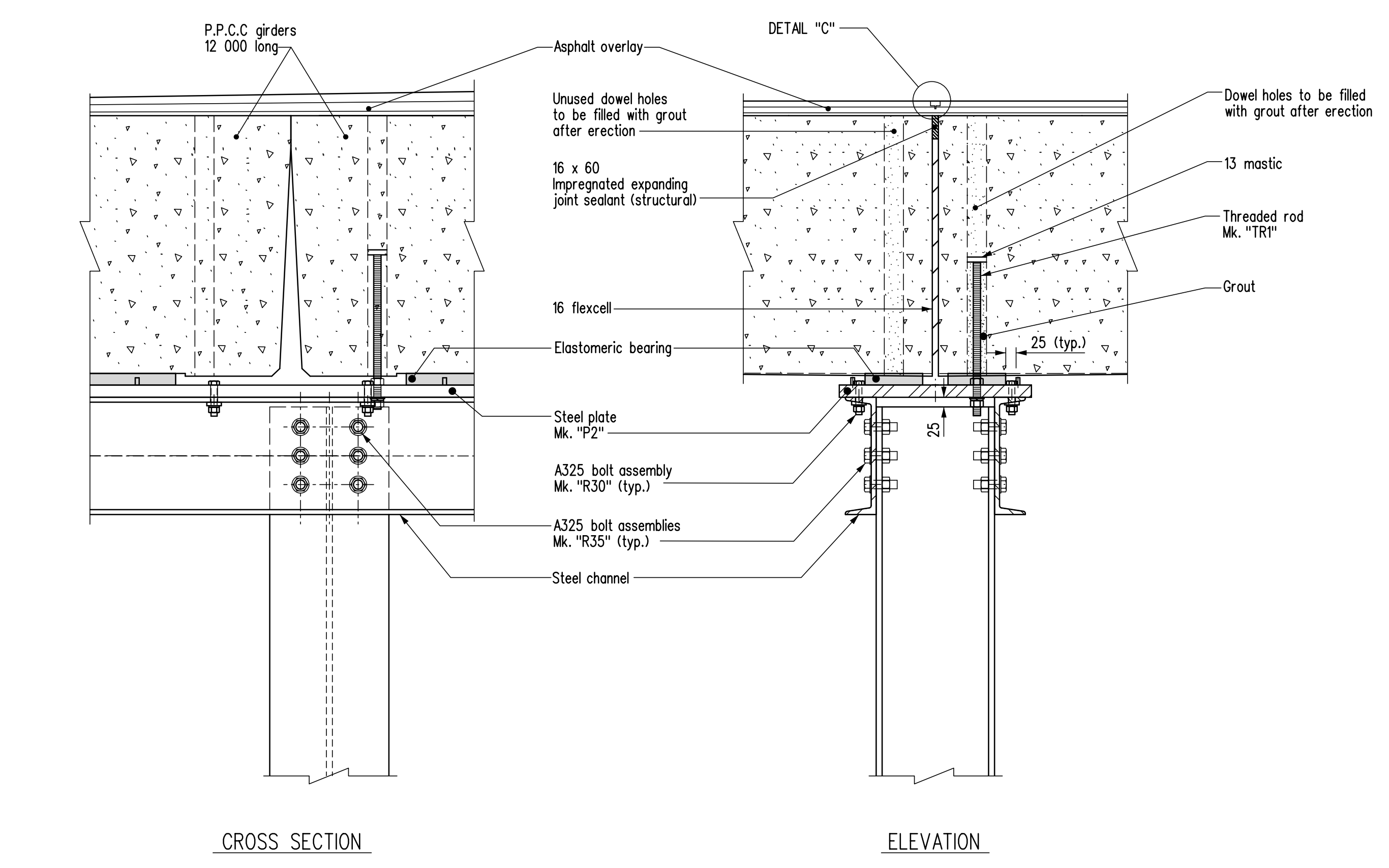
**DETAIL "B"**  
Scale 1:10



**SECTION B-B**  
Scale 1:10



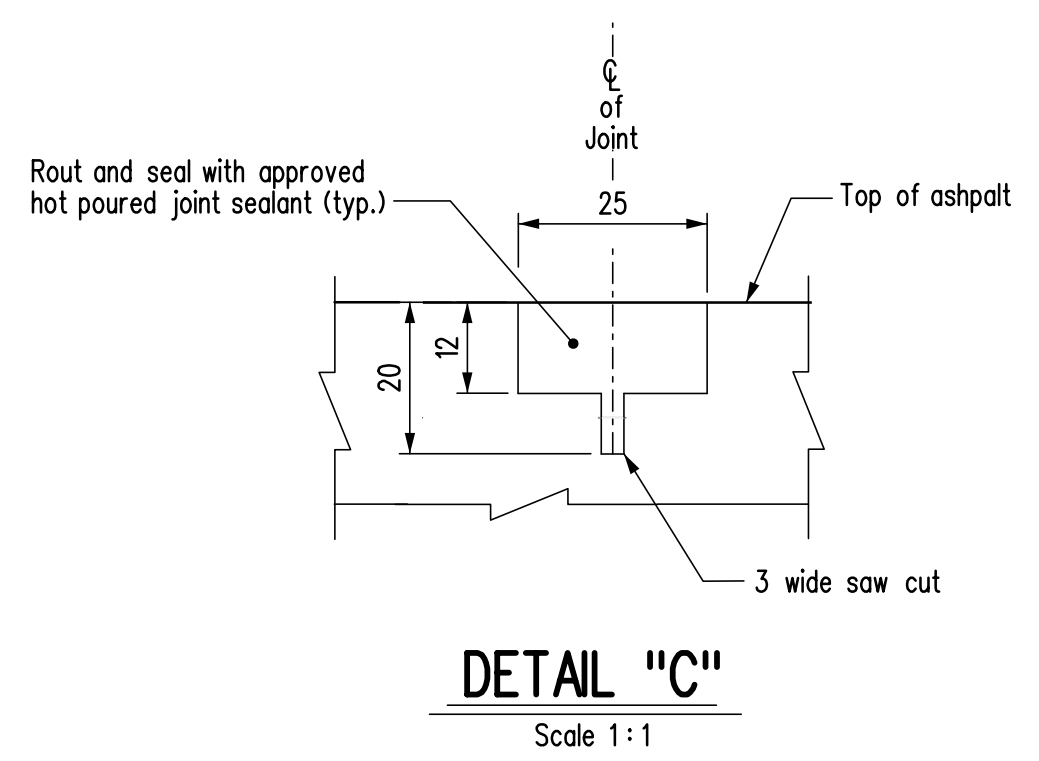
**SECTION AT ABUTMENT**  
Scale 1:10



**CROSS SECTION**

**ELEVATION**

**DETAILS AT INTERMEDIATE BENT**  
Scale 1:10



**DETAIL "C"**  
Scale 1:1

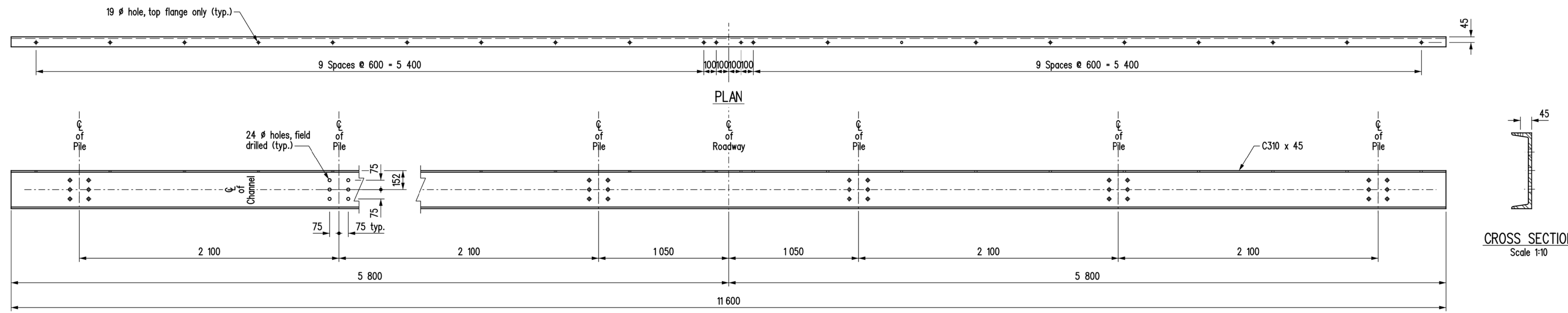
- NOTES:
- RE: BOLTING
    - GIRDER LATERAL CONNECTION**
      - Bolts Mk. 'R1' - c/w one F436 hardened washer, one structural plate washer Mk. 'W1', one pair Nord-Lock washers and one Grade DH heavy hex. nut.
    - STEEL CAP**
      - Bolts Mk. 'R30' - One F436 hardened washer, one hardened bevel washer and one Grade DH heavy hex. nut.
      - Bolts Mk. 'R32' - One hardened bevel washer and one Grade DH heavy hex. nut.
      - Bolts Mk. 'R35' - Two F436 hardened washers and one Grade DH heavy hex. nut.
    - PRECAST PANELS**
      - Bolts Mk. 'R36' - Two F436 hardened washers and one Grade DH heavy hex. nut.
      - Bolts Mk. 'R34' - One F436 hardened washer and one structural plate washer Mk. 'A2', no nuts.
      - Threaded rod Mk. 'TR2' - One standard flat washer, one structural lock washer, structural plate washer Mk. 'A1' and one stainless steel hex. nut.
      - Threaded rod Mk. 'TR3' - Two filler plates Mk. 'S4', one structural lock washer, two standard flat washers and two hex. nuts, Filler plate Mk. 'S5' if required.
    - GIRDER TO STEEL CAP**
      - Threaded rod Mk. 'TR1' - one standard flat washer and structural lock washer and two hex. nuts.
    - High strength bolts shall be tightened by the turn-of-nut method as per Bridge Specifications. Ensure nuts are lubricated prior to bolting.
    - Fill counter bored holes with mastic filler after tightening bolts.
  - When grouting dowel holes in girders, ensure that there is no grout between bottom of girder and bearing plate.
  - Apply galvalloy to all field welds & areas where galvanizing has been damaged.
  - Impregnated expanding joint sealant shall be installed as per manufacturer's recommendations.

REVISIONS		ASSEMBLY DETAILS	
DATE	BY	DESCRIPTION	RELEASED FOR CONSTRUCTION BY:

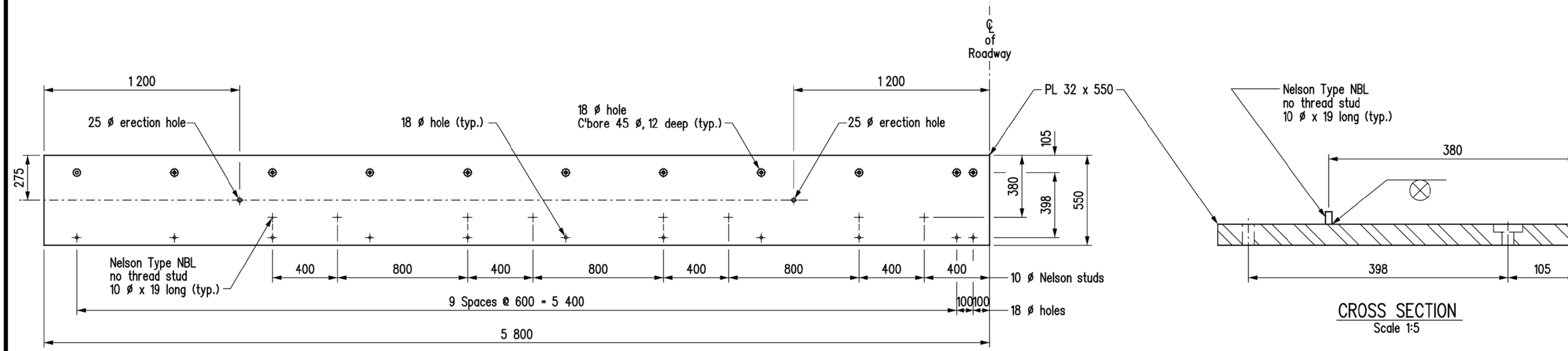
  

<b>PLACE ENGINEERS ELECTRONIC SEAL HERE</b>	DESIGN SEAL	RECORD SEAL	<b>Manitoba</b> Infrastructure Water Management and Structures BY: <u>        </u> B.A.N.     EXECUTIVE DIRECTOR OF STRUCTURES     DATE CHECKED: <u>        </u> SCALE:     1 : 30 BY: <u>        </u> K.P.     SHEET No. <u>        </u> 7 CHECKED: <u>        </u> or as shown     SITE No. <u>        </u>

NOTE:  
For location of SECTIONS "B-B" & "DETAIL B" see Sheet No. 6.

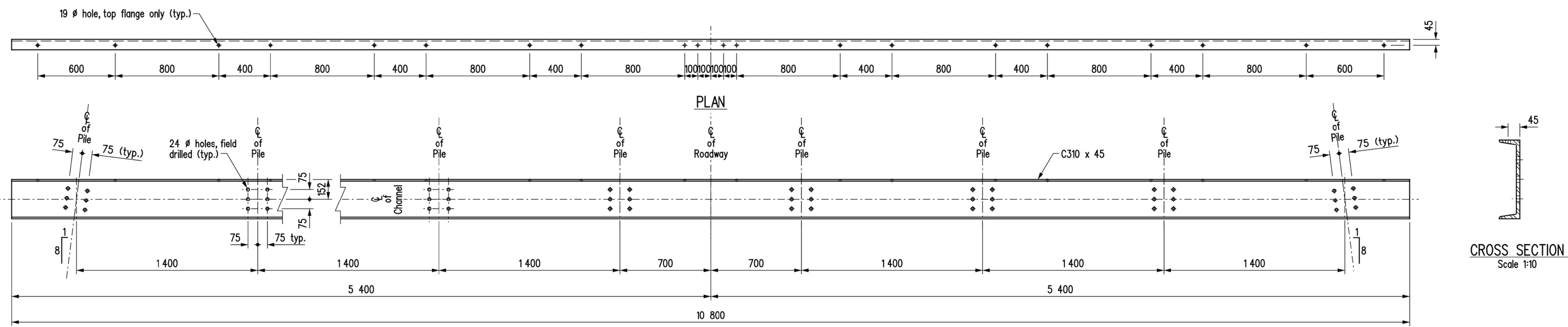


ELEVATION  
**STEEL CHANNEL MK "P3"**

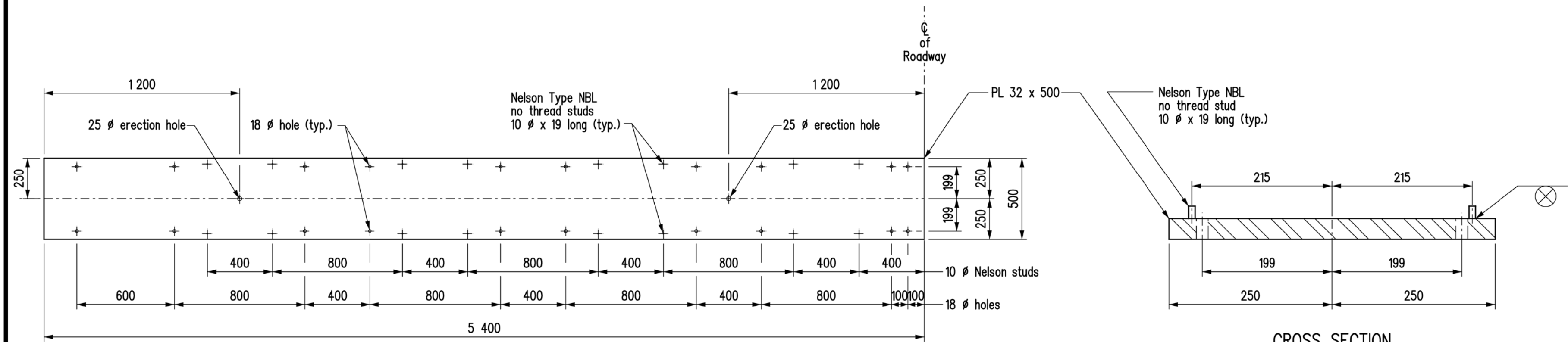


ELEVATION  
**STEEL PLATE MK "P1" & "P1a"**  
Plate Mk. "P1" as shown, Plate "P1a" opposite hand

FOR ABUTMENTS



ELEVATION  
**STEEL CHANNEL MK "P4"**

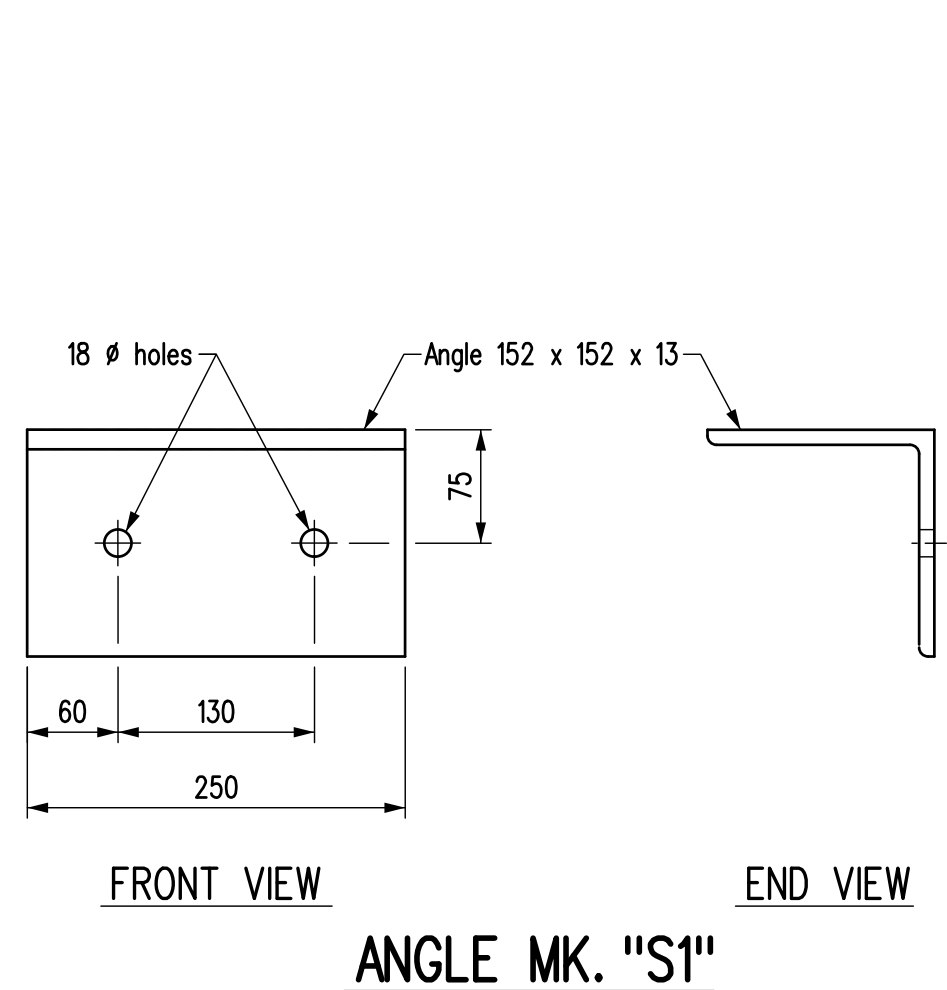


ELEVATION  
**STEEL PLATE MK "P2"**

FOR INTERMEDIATE PILE BENTS

REVISIONS		STEEL PILE CAP DETAILS		
DATE	BY	DESIGN	RECORDED	
		<b>Manitoba</b> Infrastructure Water Management and Structures	EXECUTIVE DIRECTOR OF STRUCTURES	DATE
			SCALE:	SHEET No. <u>  8  </u>
			or as shown	SITE No. <u>  333  </u>

PLACE ENGINEERS  
ELECTRONIC SEAL  
HERE



ANGLE MK. "S1"

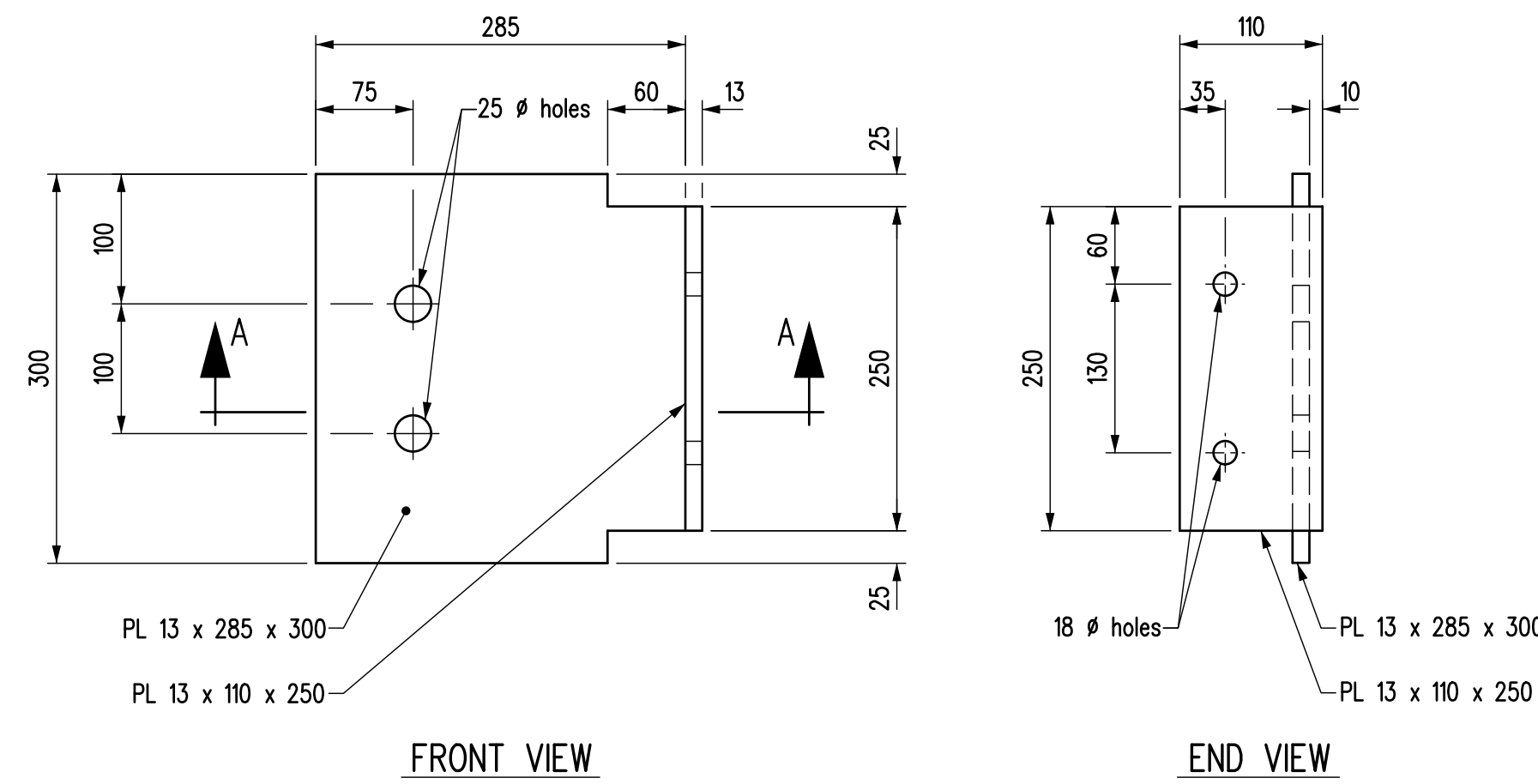
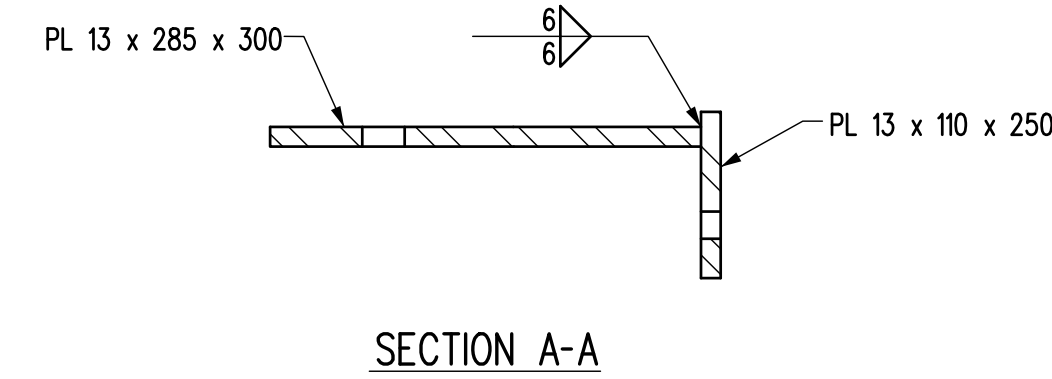
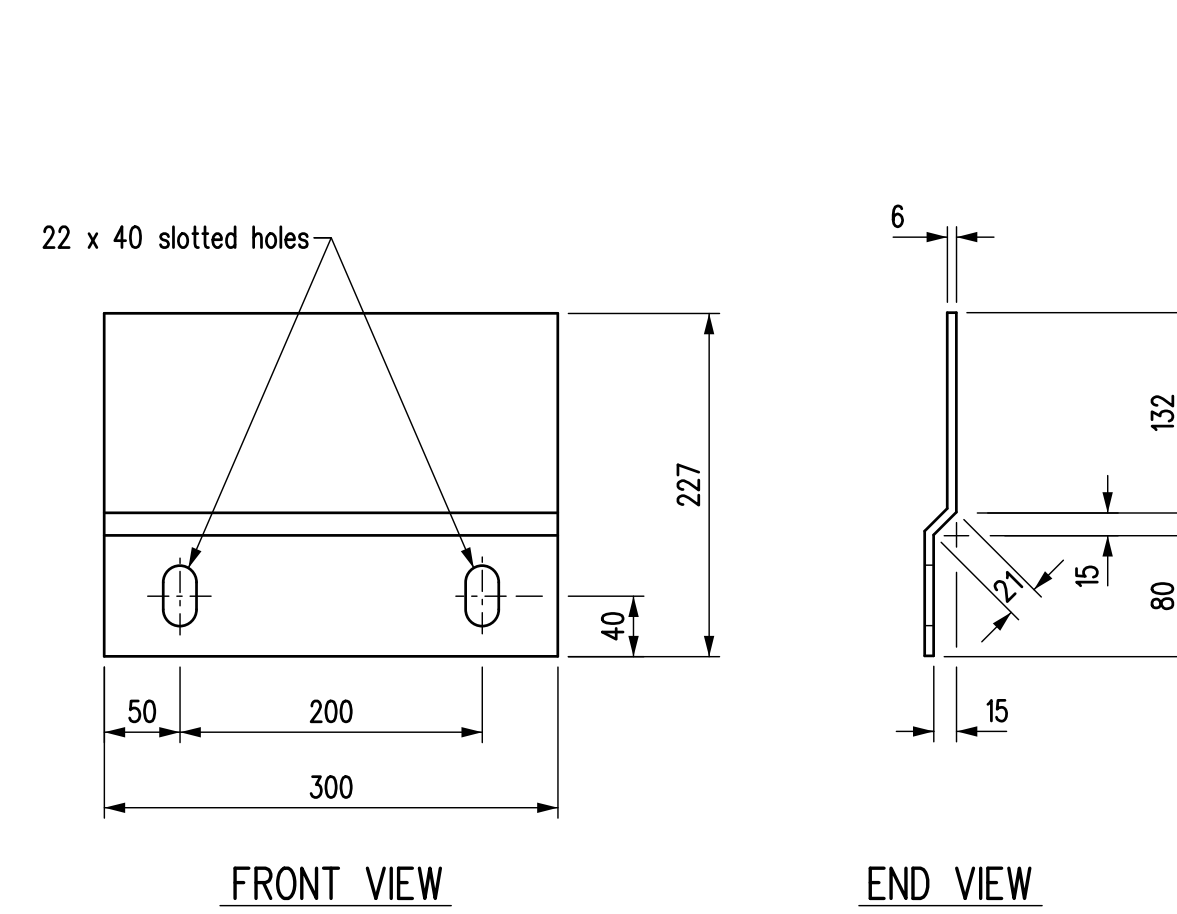
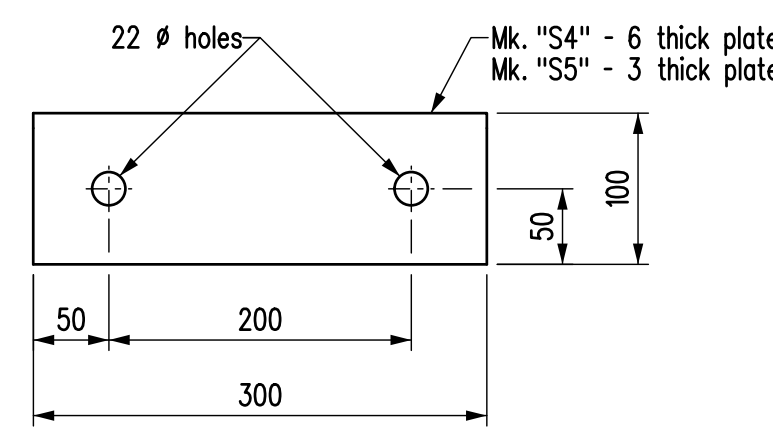


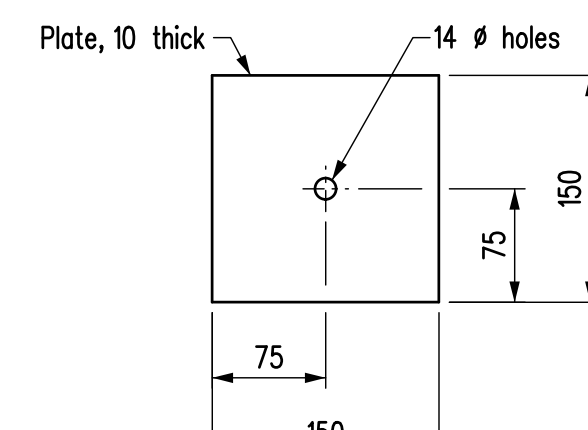
PLATE MK. "S3"



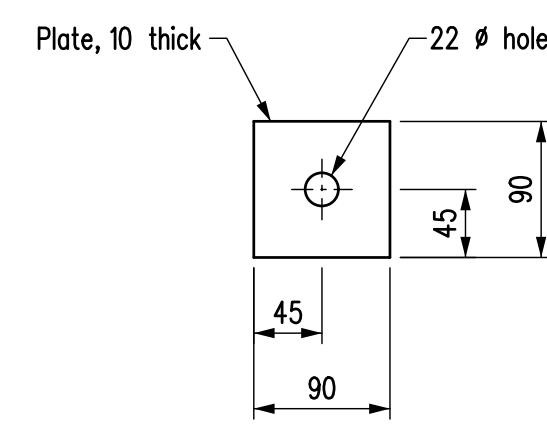
BRACKET MK. "S2"



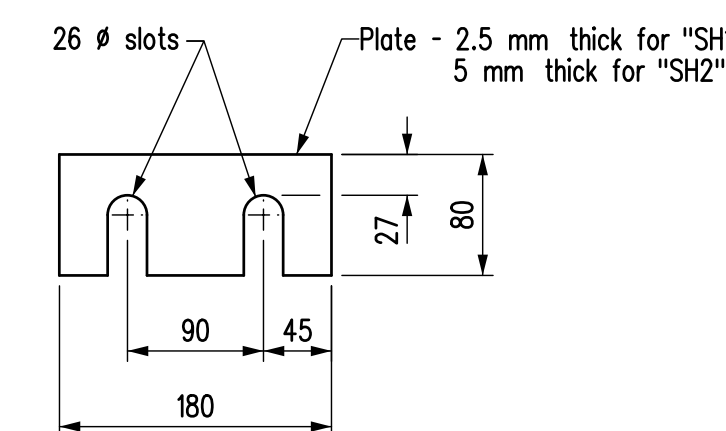
FILLER PLATES MK. "S4" & "S5"



WASHER MK. "A1"



WASHER MK. "A2"



SHIM PLATES MK. "SH1" & "SH2"

BILL OF MISCELLANEOUS METAL 9 600 ROADWAY WIDTH - 2 SPAN - 0 DEGREE SKEW										Site No.
MARK No.	No.	DESCRIPTION	CORROSION PROTECTION	SIZE	LENGTH	REMARKS	COMPONENT MASS	MASS PER UNIT	TOTAL MASS	
P1	2	Steel plate	Hot dip galvanized							1602.85
		Each unit to be fabricated from:								
	1	Steel plate		PL 32x550	5 800	See detail for Abutment	801.328	801.328		
	8	Nelson Type NBL, no thread studs		10 dia.	19	Part No. 101-063-167	0.012	0.096		
								801.424		
P1a	2	Steel plate	Hot dip galvanized							1602.85
		Each unit to be fabricated from:								
	1	Steel plate		PL 32x550	5 800	See detail for Abutment	801.328	801.328		
	8	Nelson Type NBL, no thread studs		10 dia.	19	Part No. 101-063-167	0.012	0.096		
								801.424		
P2	2	Steel plate	Hot dip galvanized							1356.86
		Each unit to be fabricated from:								
	1	Steel plate		PL 32x500	5 400	See detail for Intermediate Bent	678.240	678.240		
	16	Nelson Type NBL, no thread studs		10 dia.	19	Part No. 101-063-167	0.012	0.192		
								678.432		
P3	4	Steel channel	Hot dip galvanized	C310x45	11 600	See detail for Abutment	518.520	2074.08		
P4	2	Steel channel	Hot dip galvanized	C310x45	10 800	See detail for Intermediate Bent	482.760	965.52		
R30	84	A325 bolt assembly	Hot dip galvanized	16 dia.	89	Steel plate to channels	0.245	20.59		
R32	44	A325 bolt assembly	Hot dip galvanized	16 dia.	76	Steel plate to channels C bore holes	0.225	9.90		
R35	240	A325 bolt assembly	Hot dip galvanized	22 dia.	64	Channels to piles	0.461	110.64		
R36	48	A325 bolt assembly	Hot dip galvanized	16 dia.	64	Angles Mk. "S1" to piles & bracket Mk. "S2" to cap	0.205	9.84		
S1	20	Angle	Hot dip galvanized	L 152x152x13	250	As detailed	7.250	145.00		
S2	4	Bracket	Hot dip galvanized	As detailed	As detailed	As detailed	11.226	44.90		
S3	16	Plate	Hot dip galvanized	PL 6x300	As detailed	As detailed	3.223	51.57		
S4	32	Filler plate	Hot dip galvanized	PL 6x100	300	As detailed	1.413	45.22		
S5	16	Filler plate	Hot dip galvanized	PL 3x100	300	As detailed	0.707	11.31		
A1	16	Structural plate w washer	Hot dip galvanized	PL 10x150	150	As detailed - One to threaded rod Mk. "TR2"	1.766	28.26		
A2	8	Structural plate w washer	Hot dip galvanized	PL 10x90	90	As detailed - One to bolt Mk. "R34"	0.636	5.09		
TR1	32	Threaded rods c/w tw o hex. nuts	Hot dip galvanized	19 dia.	400	Girder to steel cap plate	0.940	30.08		
TR3	32	Threaded rods c/w tw o hex. nuts	Hot dip galvanized	19 dia.	300	Steel plates Mk. "S3" to precast panels	0.660	21.12		
	128	Hardened bevel w asher	Hot dip galvanized	for 16 dia. bolts		One to bolts Mk. "R30" & "R32"	0.110	14.08		
	16	Standard flat w asher	Hot dip galvanized	for 12 dia. rod		One to threaded rod Mk. "TR2"	0.010	0.16		
	96	Standard flat w asher	Hot dip galvanized	for 19 dia. rod		One to "TR1", tw o to "TR3"	0.020	1.92		
	16	Structural lock w asher	Hot dip galvanized	for 13 dia. rod		One to threaded rod Mk. "TR2"	0.010	0.16		
	64	Structural lock w asher	Hot dip galvanized	for 19 dia. rod		One to "TR1" & "TR3"	0.020	1.28		
	240	F436 Hardened w asher	Hot dip galvanized	for 22 dia. bolts		One to bolt Mk. "R35"	0.032	7.68		
	48	F436 Hardened w asher	Hot dip galvanized	for 16 dia. bolts		One to bolt Mk. "R36"	0.014	0.67		
R1	112	A325 bolt assembly	Hot dip galvanized	22 dia.	76	R.C girder connection	0.499	55.89		
W1	112	Structural flat w asher	Hot dip galvanized	for 22 dia. bolts		One to bolt Mk. "R1"	0.050	5.60		
	112	Pair Nord-Lock lock w ashers		for 22 dia. bolts		One pair to bolt Mk. "R1"	0.020	2.24		
SH1	56	Shim plate	Hot dip galvanized	PL 2.5x80	180	As detailed - use as required	0.231	12.94		
SH2	56	Shim plate	Hot dip galvanized	PL 5x80	180	As detailed - use as required	0.463	25.93		
	<b>TOTAL MASS (kg) =</b>							8264.21		

- NOTES:**  
1. All material noted in the above Bill shall be hot dip galvanized after fabrication in accordance with CSA G164 for a minimum net retention of 610 g/m<sup>2</sup> unless otherwise stated in the specified material ASTM standards. The fabricator and galvanizer shall safeguard against embrittlement using recommended practices from applicable standards.  
2. Seal all welds prior to galvanizing.  
3. Apply Galvaloy to all field welds and areas where galvanizing has been damaged.  
4. All bolts and threaded rod in the above Bill shall be Imperial thread.

REVISIONS		STEEL PILE CAP DETAILS	
DATE	DESCRIPTION		
		<p><b>Manitoba Infrastructure</b> Water Management and Structures</p> <p>BY: _____ B.A.N.  CHECKED: _____</p> <p>BY: _____ K.P.  CHECKED: _____</p>	
		<p>RELEASED FOR CONSTRUCTION BY: _____</p> <p>EXECUTIVE DIRECTOR OF STRUCTURES DATE</p> <p>SCALE: 1:5 SHEET No. 9</p> <p>or as shown SITE No. _____</p>	
<p>DESIGN SEAL</p> <p>RECORD SEAL</p>		<p>PLACE ENGINEERS ELECTRONIC SEAL HERE</p>	
		<p> </p>	



BILL OF BEARINGS			9 600 ROADWAY WIDTH - 2 SPAN	Site No.
No.	LOCATION	DESCRIPTION	REMARKS	
32	SU.1 - SU.3	Elastomeric bearings	As detailed	

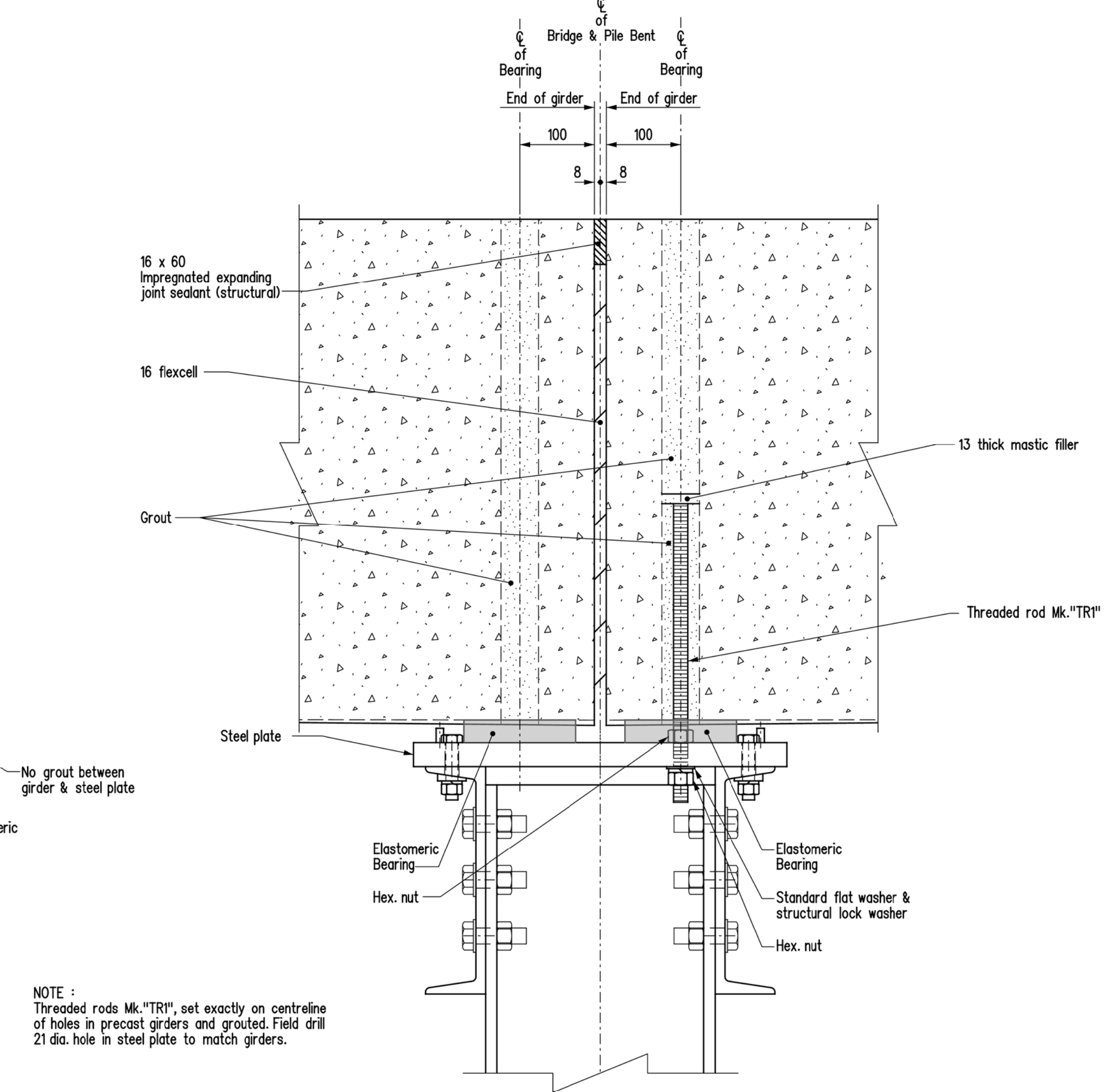
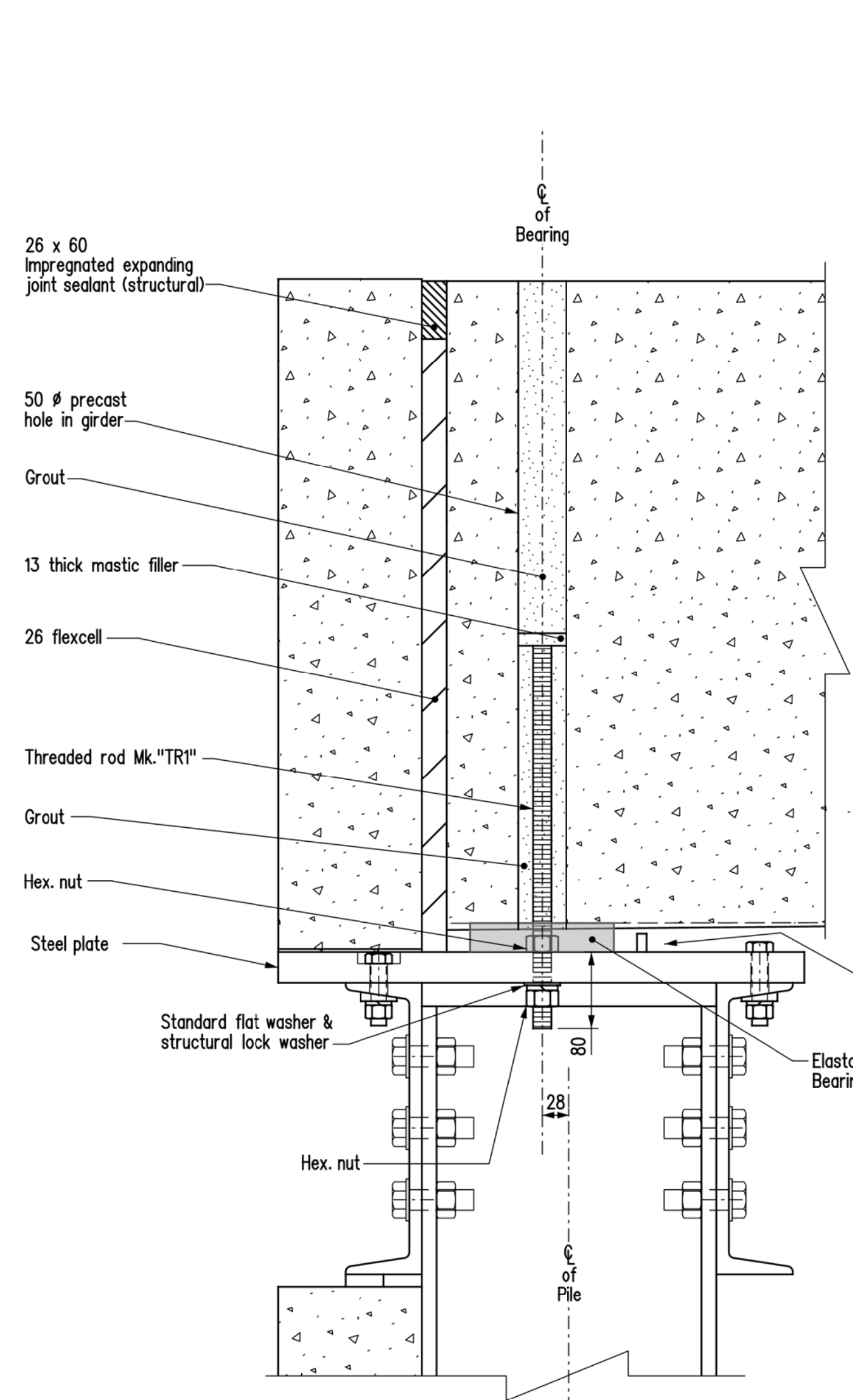
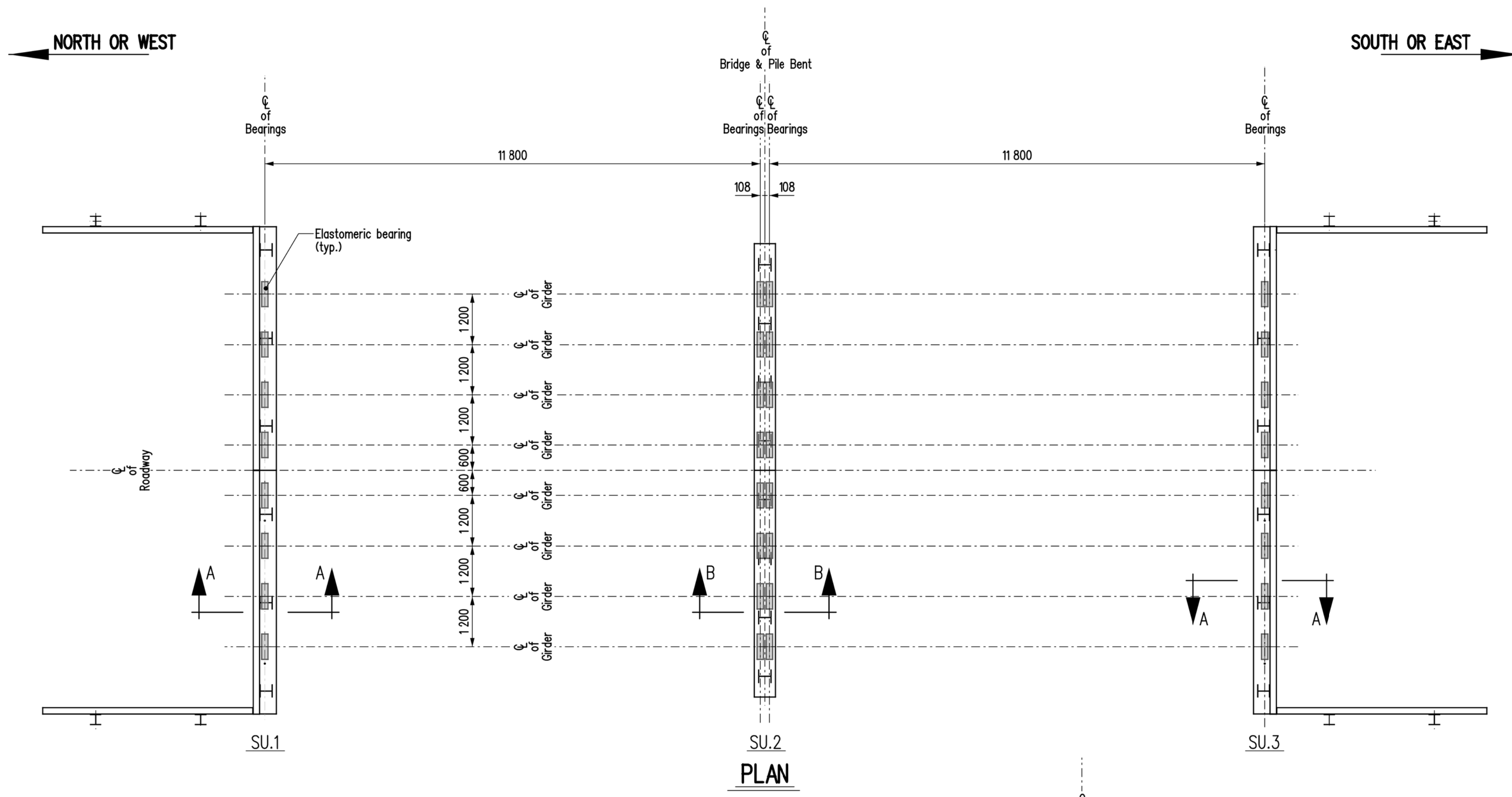
**NOTE:**

- Elastomer shall be natural rubber. Elastomer shall be AASHTO low temperature Grade 5 with a minimum shear modulus  $G \geq 0.9$  MPa and a 60 durometer Shore A hardness.
- Internal steel reinforcing plates for laminate bearings shall be rolled mild steel with a minimum yield strength of 300 Mpa.

PLAN  
Scale 1:10

PART CROSS SECTION  
Scale 1:2

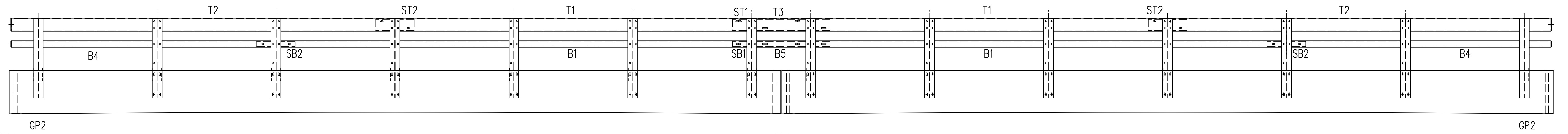
**ELASTOMERIC BEARINGS**



**NOTE :**  
Threaded rods Mk.'TR1', set exactly on centreline of holes in precast girders and grouted. Field drill 21 dia. hole in steel plate to match girders.

- NOTES:**
- Re: Girder Erection Operations Behind Abutment Ballast Walls
- Surcharge loading on the backfill resulting from girder erection operations shall be minimized near the precast concrete ballast walls and wingwalls.
  - Where possible, girder erection equipment shall be positioned such that there are no surcharge loads behind the back face of the precast panels within a distance equal to the depth of backfill to the bottom of the panels at the time of girder erection.
  - Should the Contractor propose to encroach on this zone, the following requirements must be satisfied:
    - Submit a girder erection procedure for approval outlining type, configuration, weights and locations of equipment including expected tipping forces on crane outriggers, etc.
    - Perform all precautionary measures outlined by the Department as a result of that submission.
    - All surcharge loads encroaching in this zone must be distributed over an area not less than 2.0 m<sup>2</sup>.

REVISIONS		BEARING AND ERECTION DETAILS	
DATE	BY		
		<div style="text-align: center;"> <p>Manitoba Infrastructure Water Management and Structures</p> </div>	
		<div style="text-align: center;"> <p><b>PLACE ENGINEERS ELECTRONIC SEAL HERE</b></p> </div>	
DESIGN SEAL	RECORD SEAL	BY: <u>  B.A.N.  </u> CHECKED: <u>          </u>	RELEASED FOR CONSTRUCTION BY: EXECUTIVE DIRECTOR OF STRUCTURES    DATE SCALE: <u>  1:75  </u> SHEET No. <u>  10  </u>
		BY: <u>  K.P.  </u> CHECKED: <u>          </u>	or as shown    SITE No. <u>  1  </u>



SU.1 SU.2 SU.3

**END SPAN**

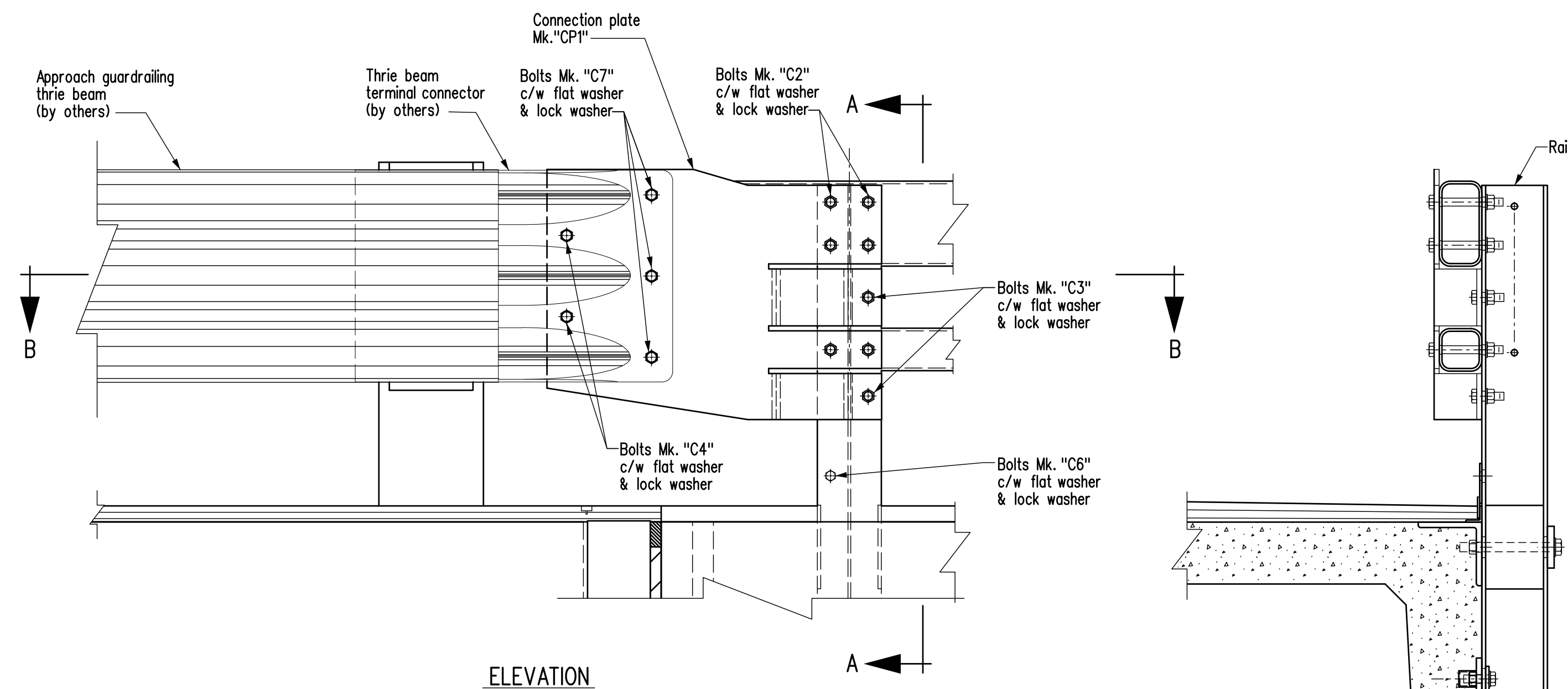
RAILS				SLEEVES		RAILPOSTS	
T1	T2	B1	B4	ST2	SB2	GP1	GP2
2	2	2	2	2	2	12	2

RAILS		SLEEVES	
T3	B5	ST1	SB1
2	2	2	2

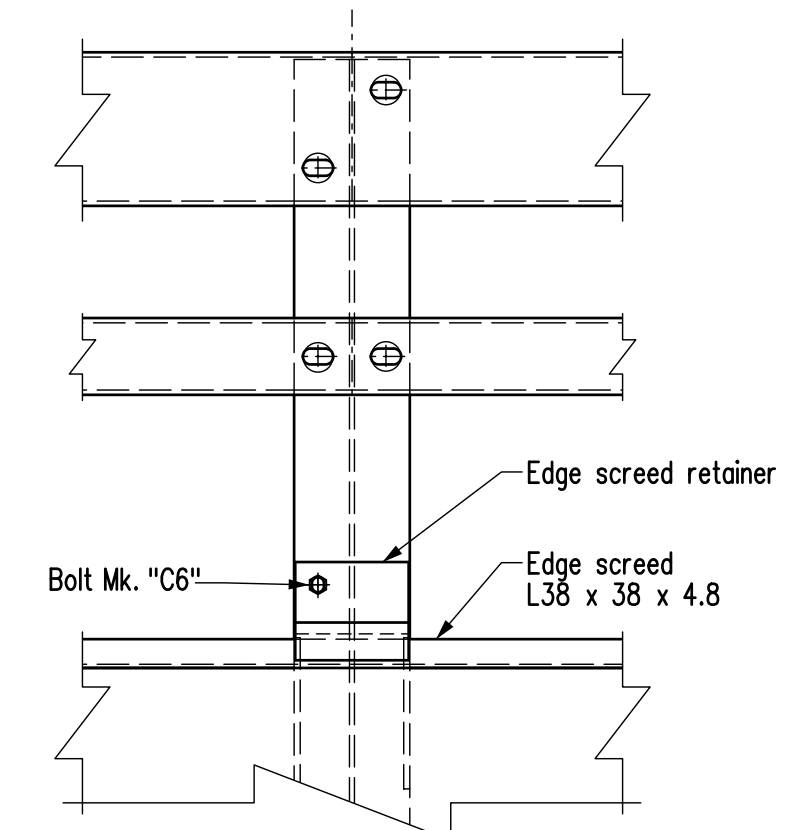
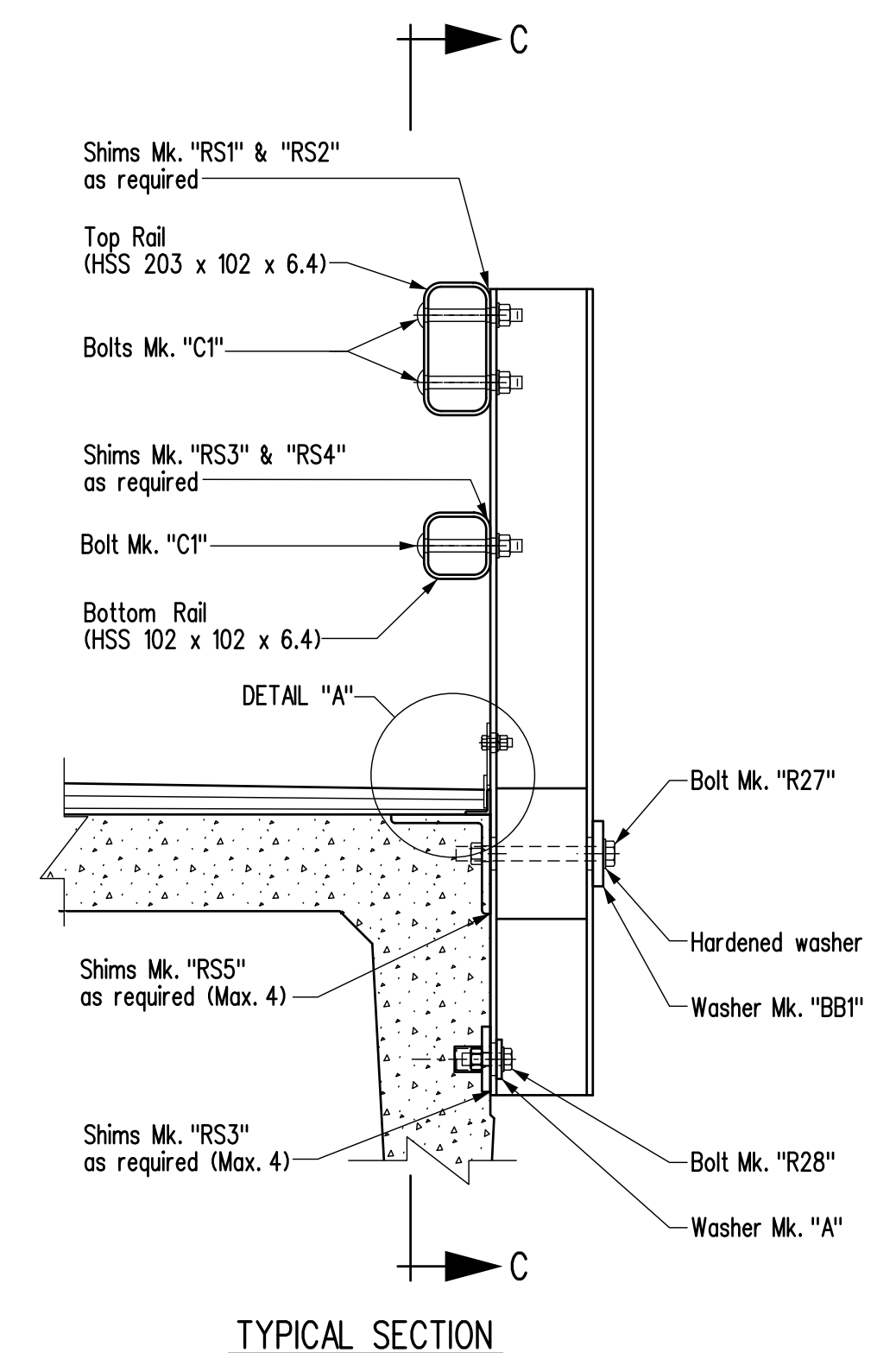
**END SPAN**

RAILS				SLEEVES		RAILPOSTS	
T1	T2	B1	B4	ST2	SB2	GP1	GP2
2	2	2	2	2	2	12	2

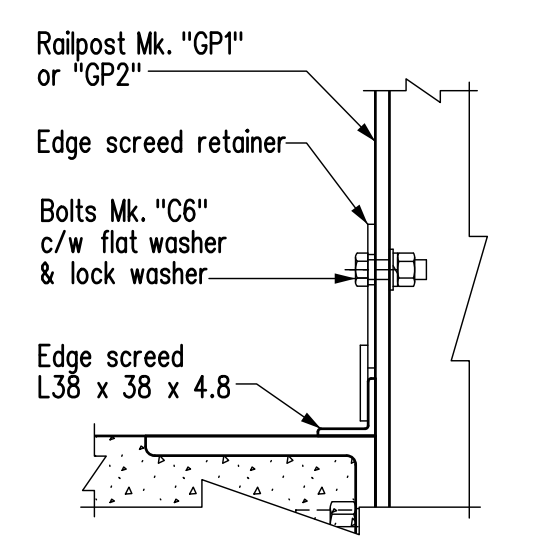
**RAILING LAYOUT**  
Not to Scale



SECTION A-A



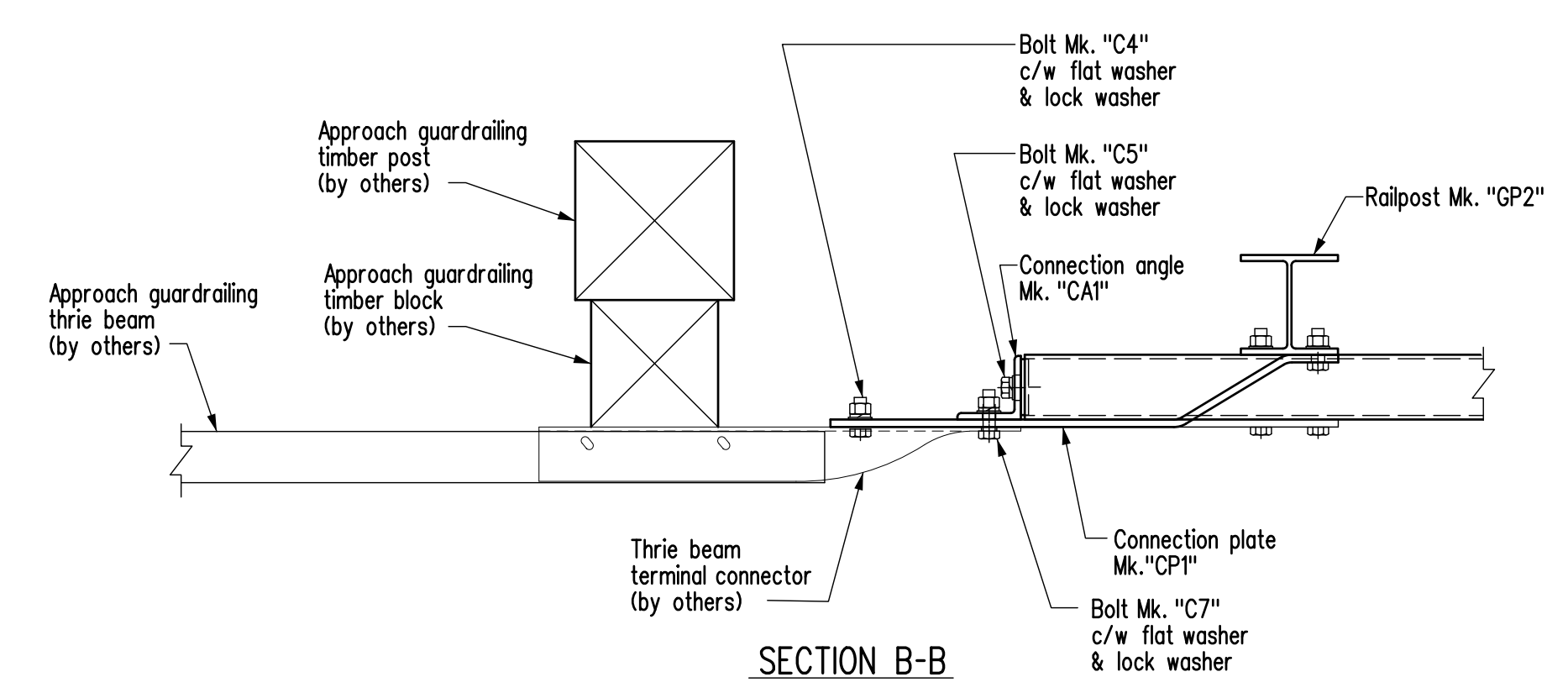
ELEVATION C-C  
Showing edge screed installation detail



DETAIL "A"  
Showing edge screed installation detail  
Scale 1:5

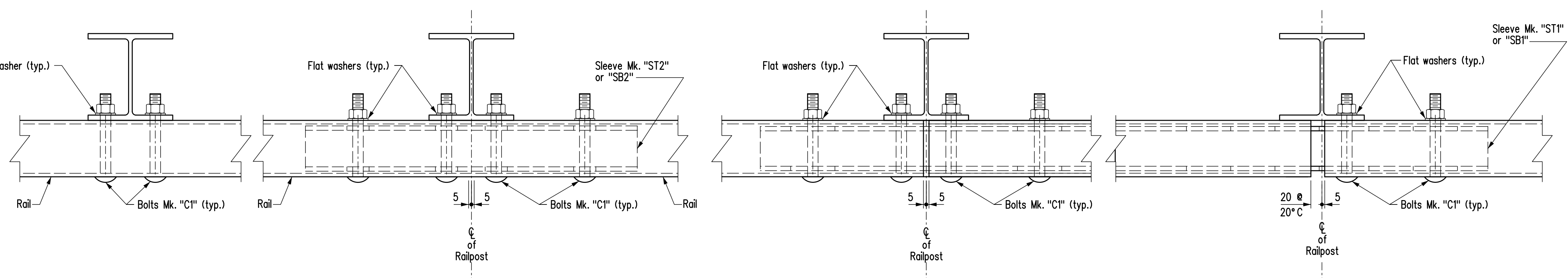
**NOTES:**

- All railposts shall be Mk. "GP1" unless noted otherwise.
- This sheet to be read in conjunction with Sheets & .



SECTION B-B

**APPROACH RAIL CONNECTION DETAILS**



TYPICAL OF CONTINUOUS RAILS

RAIL END CONNECTION

TYPICAL AT PILE BENT

**RAILING ERECTION DETAILS**  
Scale 1:5

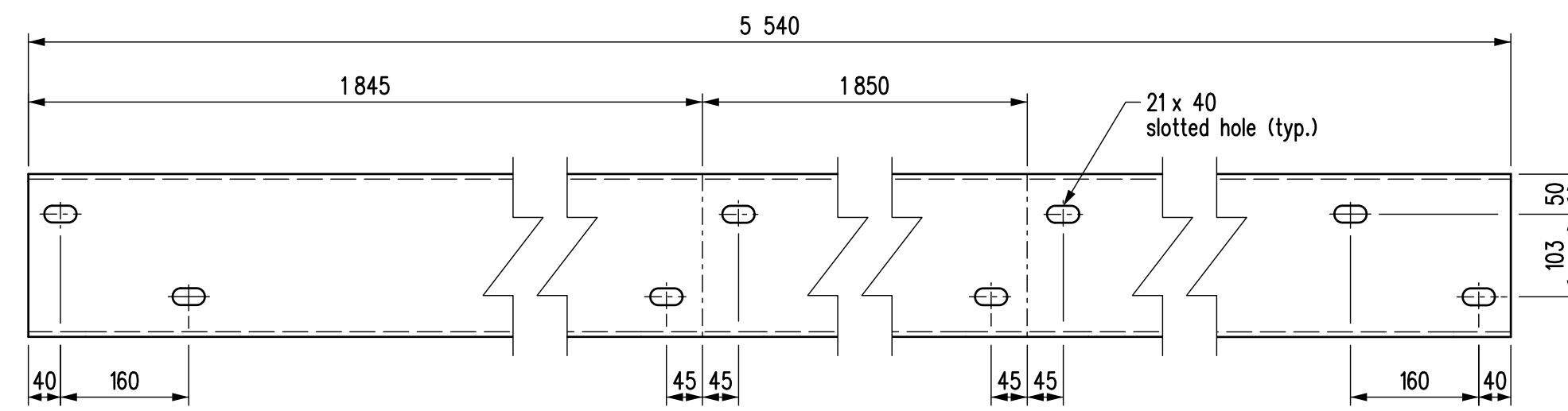
**RAILPOST ERECTION DETAILS**

**NOTES:**

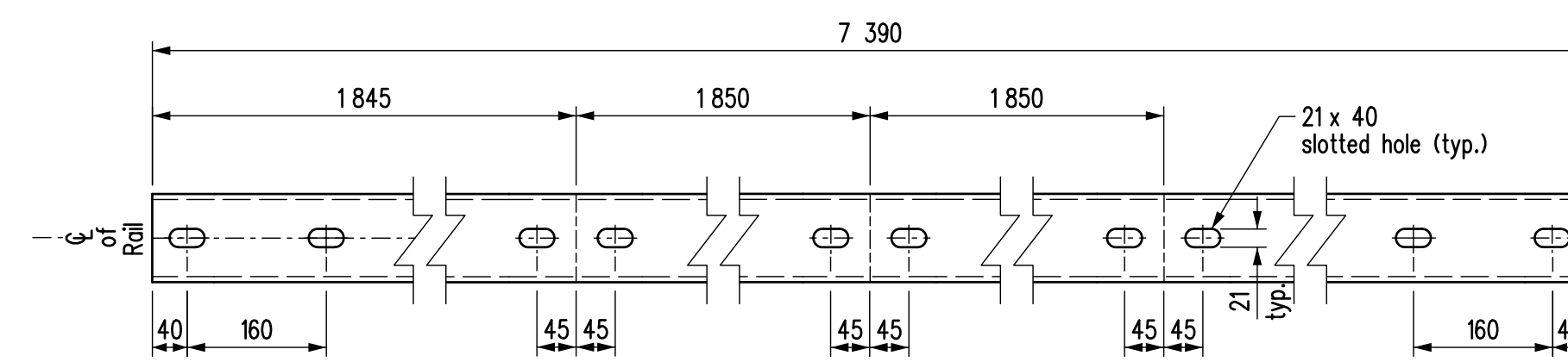
- High strength bolts Mk. "R27" & "R28" shall be tightened by turn-of-nut method as per Specification 1061. These bolts to be supplied by the Girder Fabricator. For quantities see Bill of Miscellaneous Metal on Girder sheet.
- High strength bolted connection may be shimmed to a maximum of 12 mm with shims Mk. "RS3" & "RS4".

REVISIONS		RAILING LAYOUT AND DETAILS	
DATE	BY		
		<p style="text-align: center;">Infrastructure Water Management and Structures</p>	RELEASED FOR CONSTRUCTION BY:
			EXECUTIVE DIRECTOR OF STRUCTURES
		DESIGN	SCALE: 1:10
		DETAILS	SHEET No. _____
			or as shown
			SITE No. _____

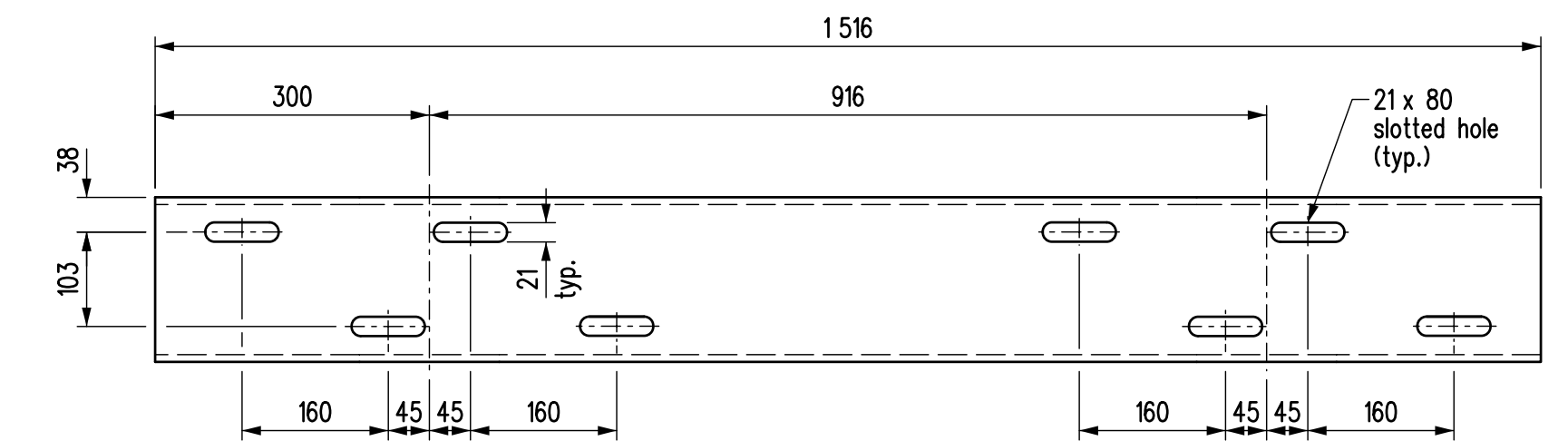




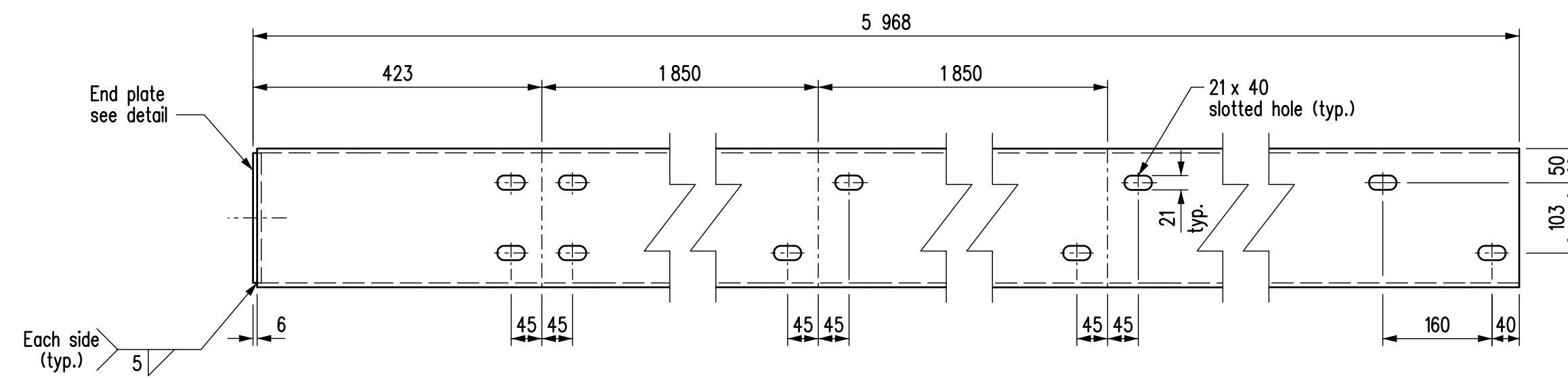
Mk. "T1"



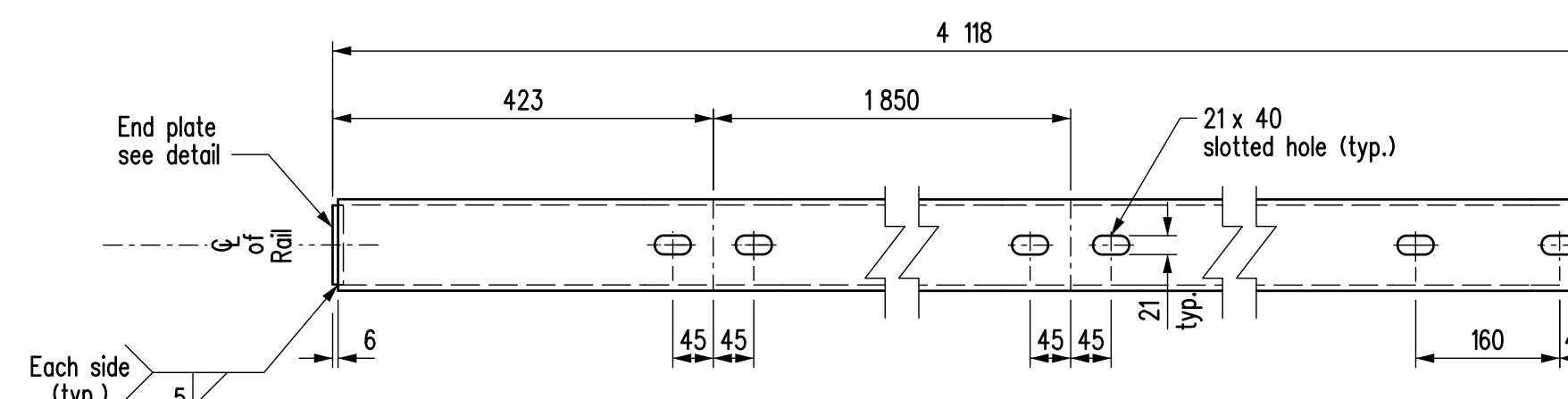
Mk. "B1"



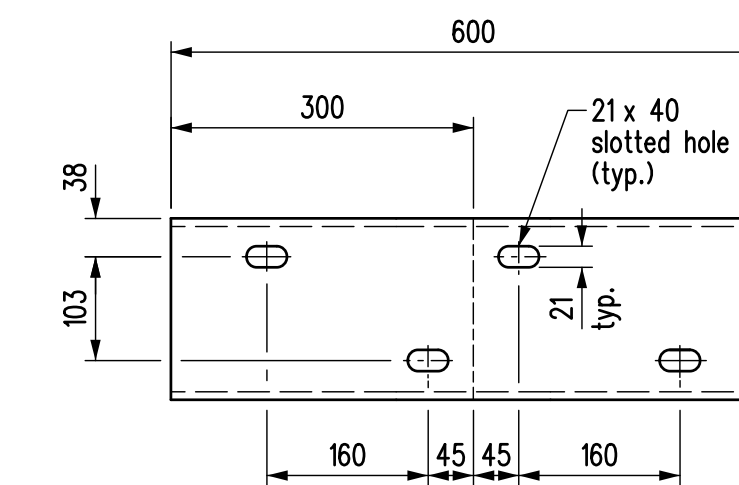
Mk. "ST1"



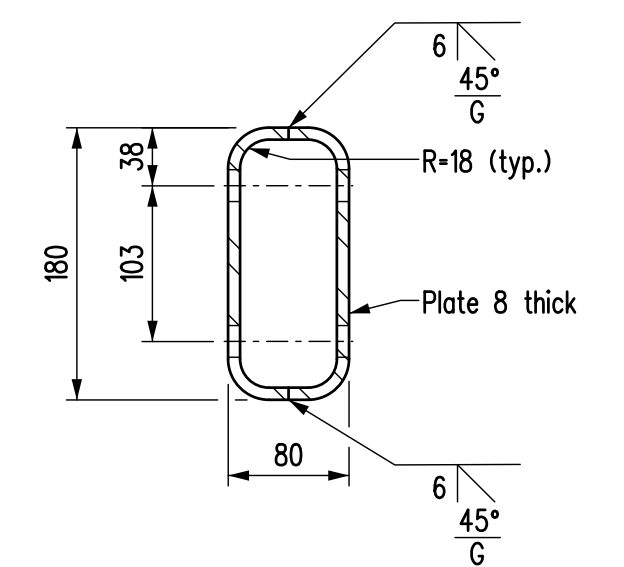
Mk. "T2"



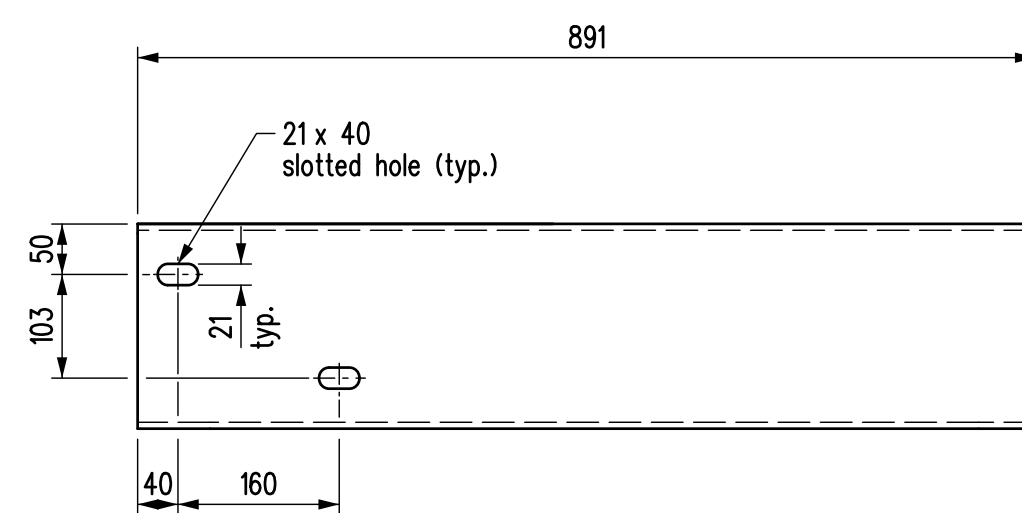
Mk. "B4"



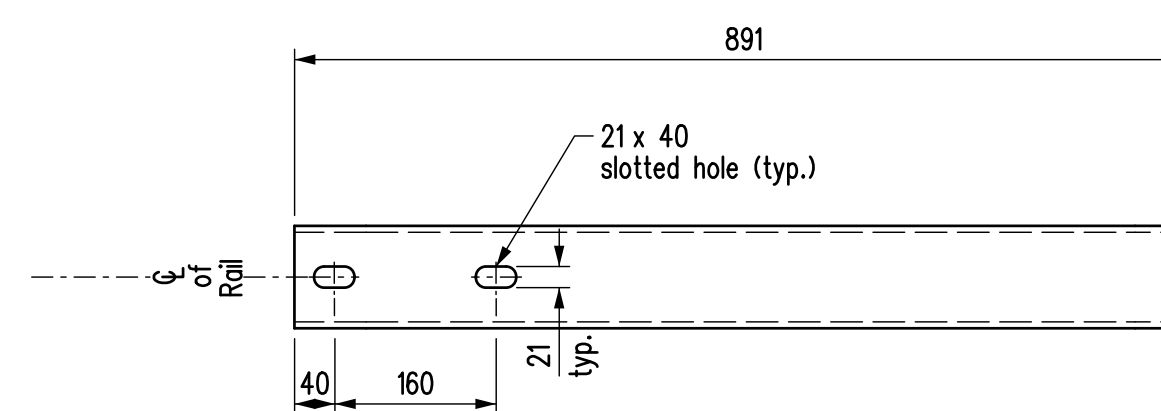
Mk. "ST2"



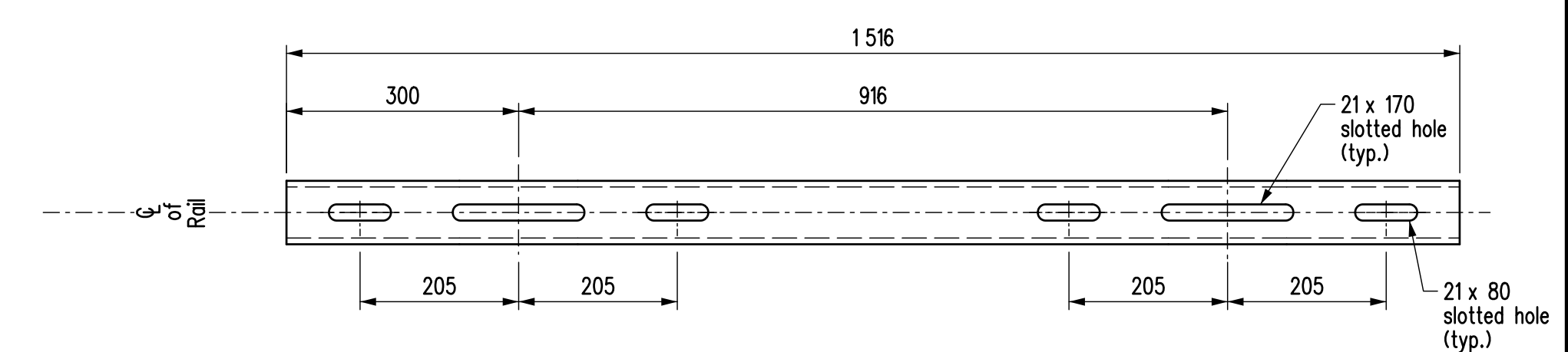
TYPICAL CROSS SECTION Scale 1:5



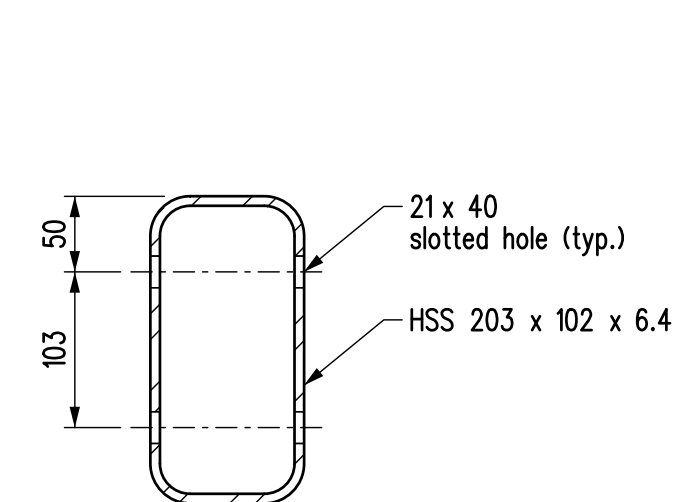
Mk. "T3"



Mk. "B5"

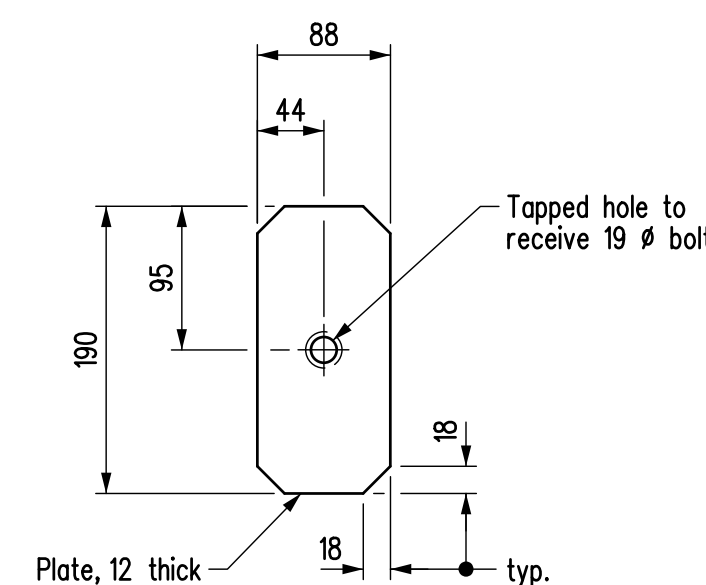


Mk. "SB1"

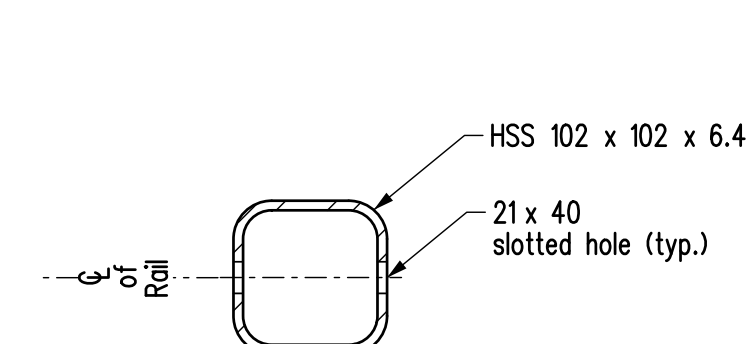


TYPICAL CROSS SECTION  
Typical for rail Mk. "T1", "T2" & "T3"  
Scale 1:5

**DETAILS OF TOP RAILS**

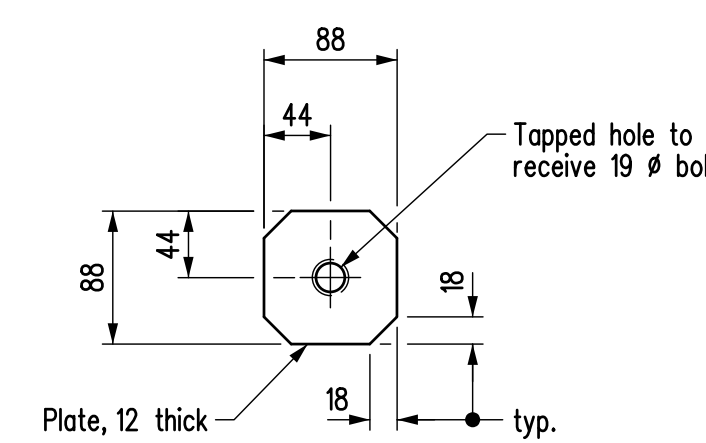


END PLATE  
For rail Mk. "T2"  
Scale 1:5

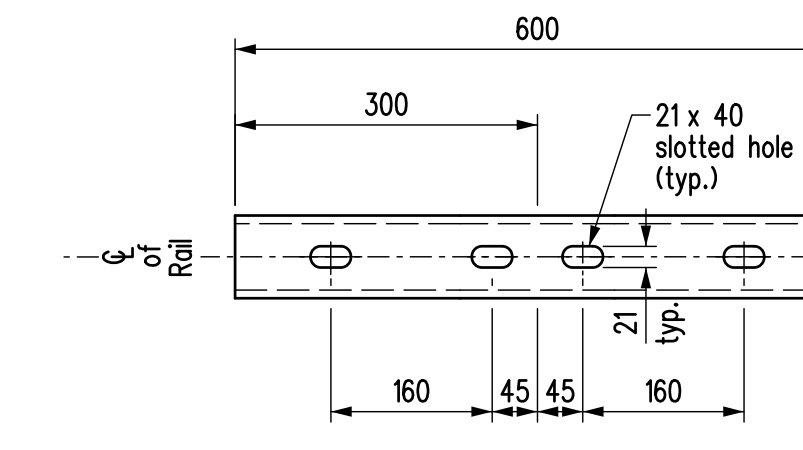


TYPICAL CROSS SECTION  
Typical for rails Mk. "B1", "B4" & "B5"  
Scale 1:5

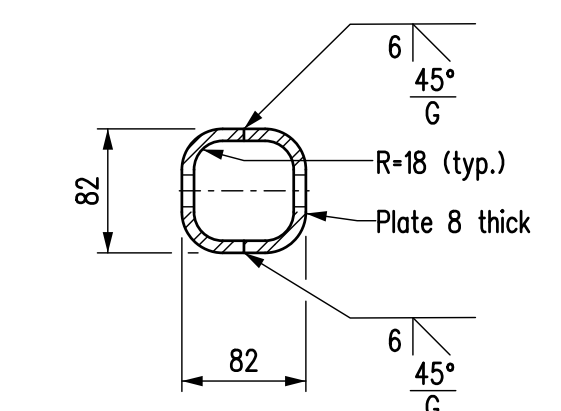
**DETAILS OF BOTTOM RAILS**



END PLATE  
For rail Mk. "B4"  
Scale 1:5



Mk. "SB2"

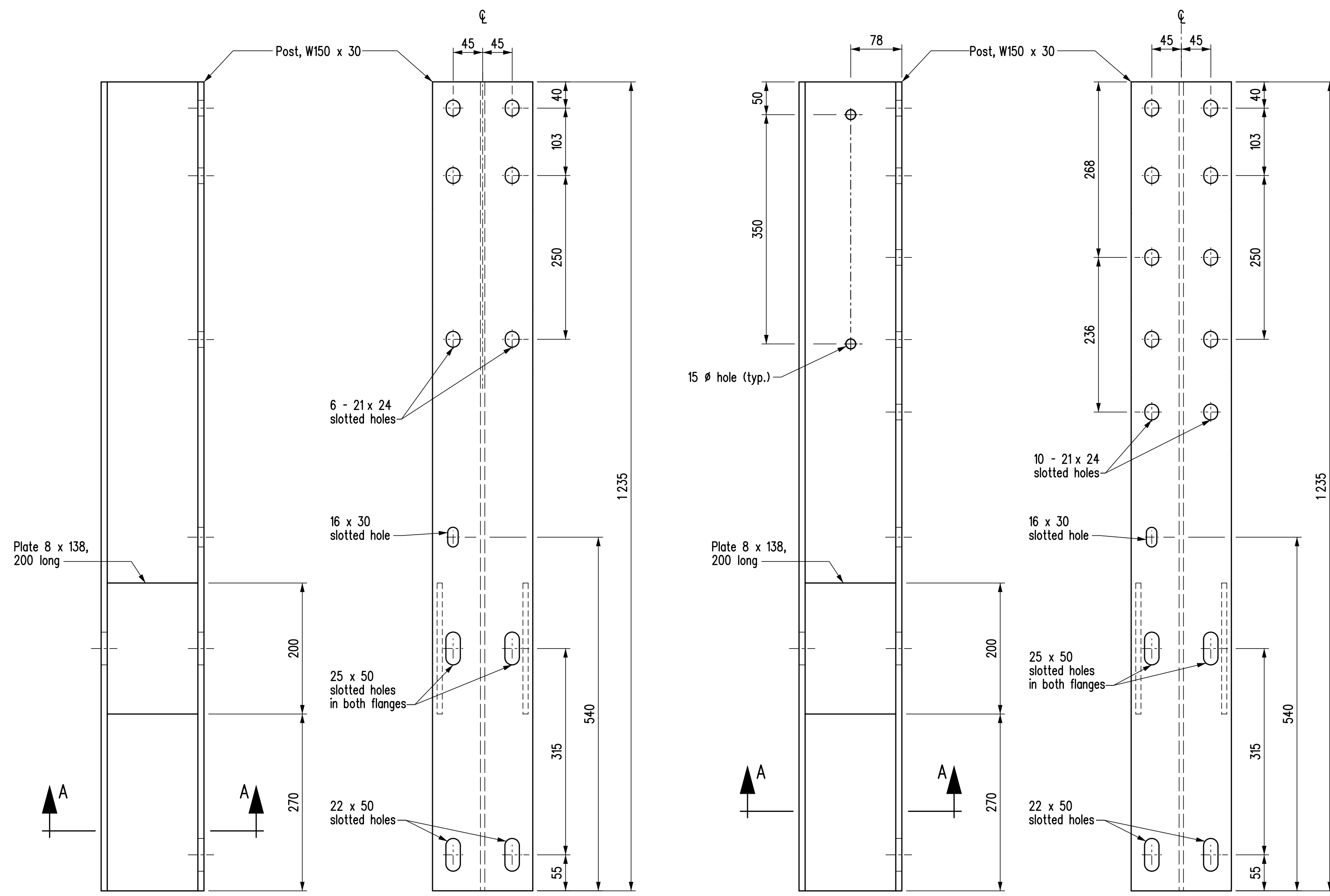


TYPICAL CROSS SECTION  
Scale 1:5

**DETAILS OF SLEEVES**

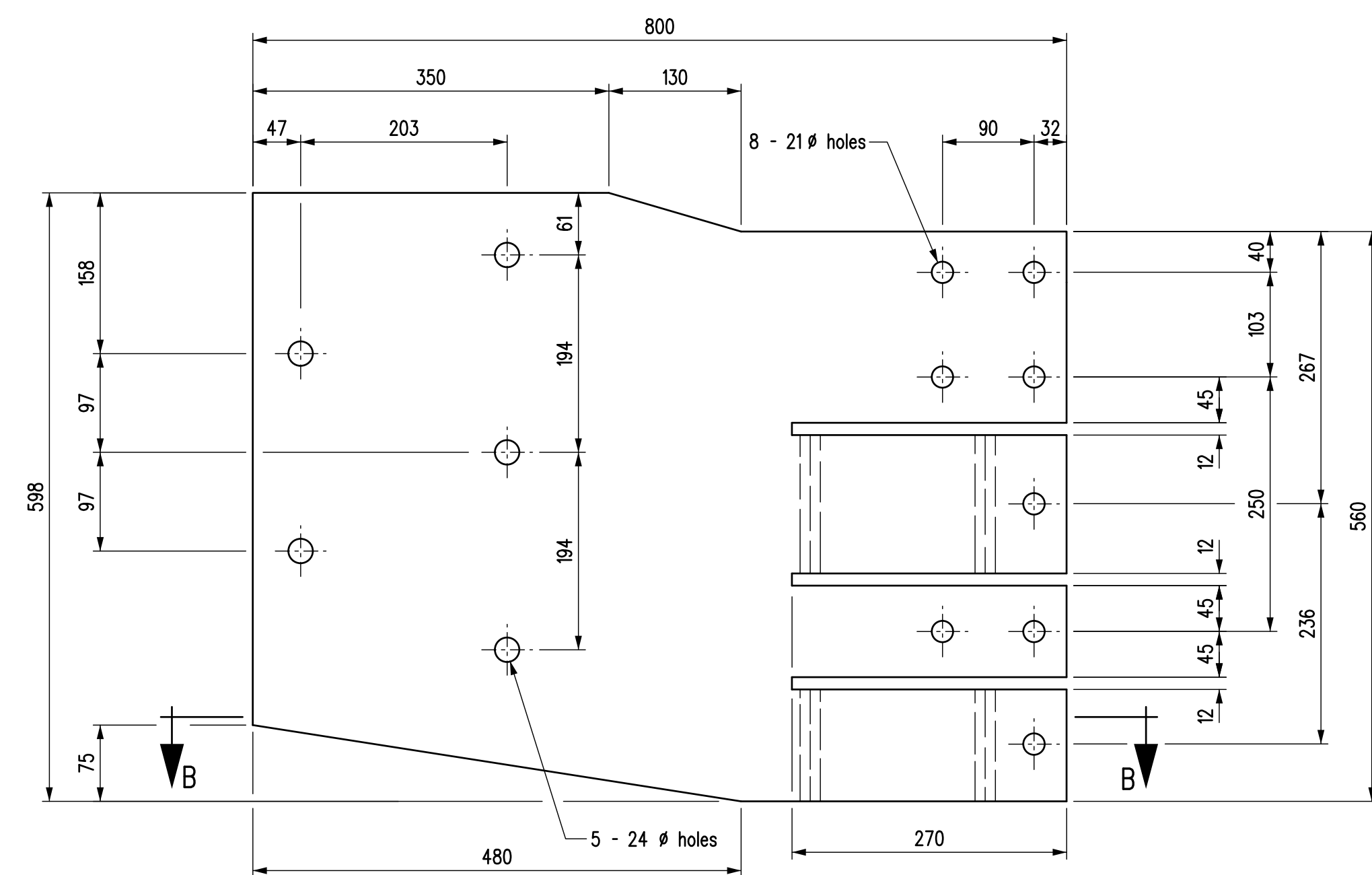
- NOTES:
- 1. It is imperative that all rail and sleeve holes in each pair of holes be opposite to each other.
  - 2. The length of slotted holes shall not be less than shown.
  - 3. The width and height of the sleeves shall not exceed the dimensions shown.
  - 4. All dimensions are in millimeters (mm).

REVISIONS		RAILING DETAILS	
		<p>RELEASED FOR CONSTRUCTION BY:</p> <p><b>Manitoba Infrastructure</b> Water Management and Structures</p> <p>EXECUTIVE DIRECTOR OF STRUCTURES      DATE</p> <p>SCALE: 1 : 7.5      SHEET No.      OF AS SHOWN      SITE No.</p>	
DATE	BY	DESIGN	RECORD SEAL



**RAILPOST MK. "GP1"**

**RAILPOST MK. "GP2"**

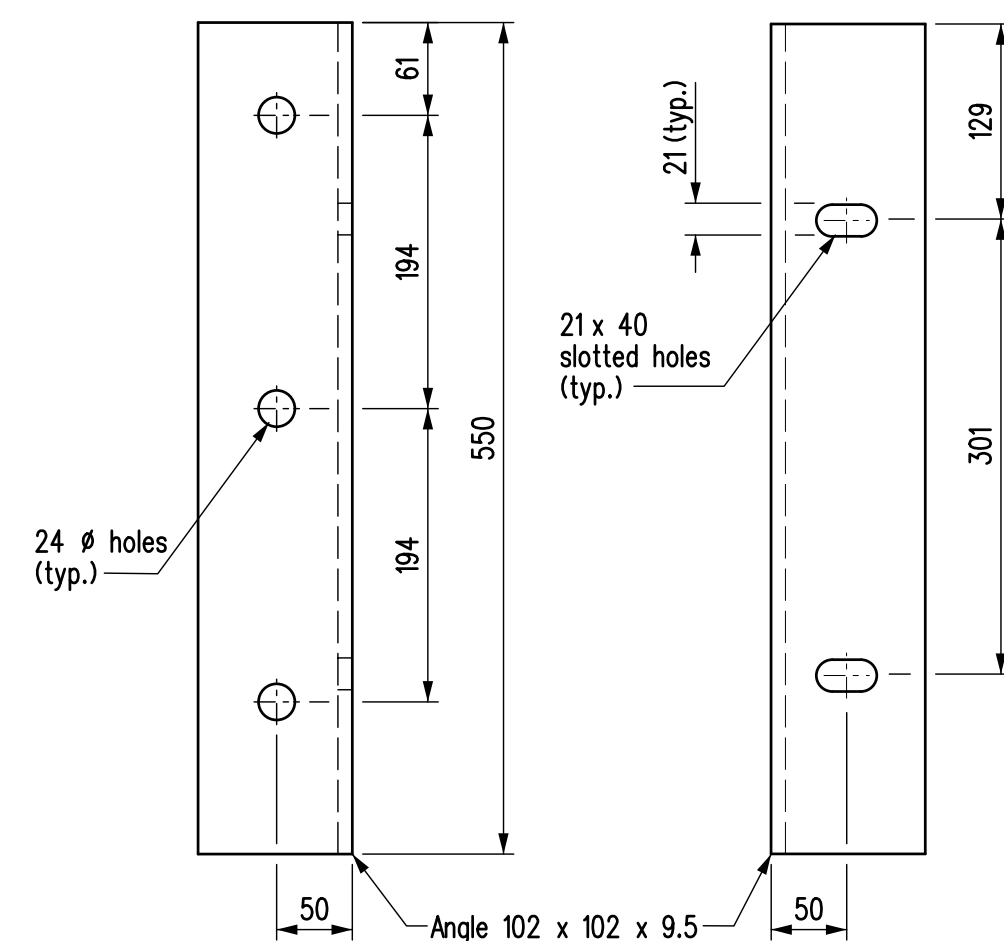


**ELEVATION**

**SECTION B-B**

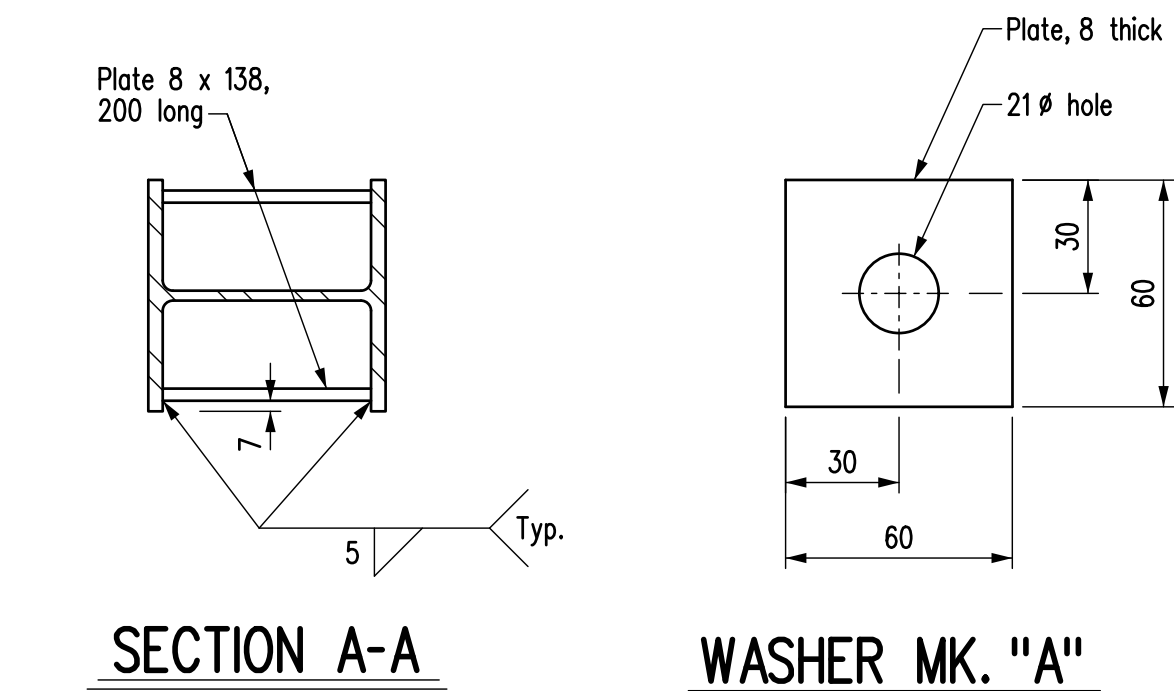
**CONNECTION PLATES MK. "CP1" & "CP2"**

NOTE: Mk. "CP1" shown, Mk. "CP2" opposite hand.



**CONNECTION ANGLES MK. "CA1" & "CA2"**

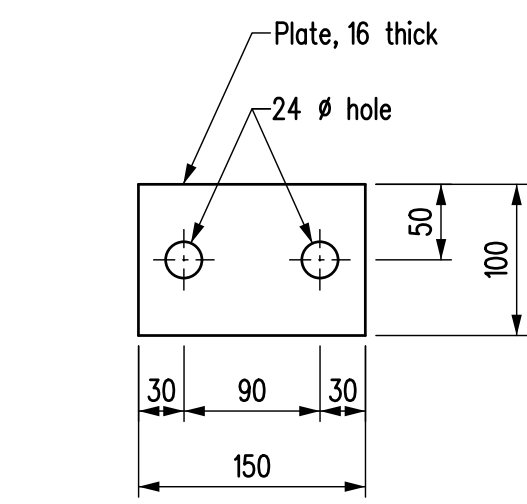
NOTE: Mk. "CA1" shown, Mk. "CA2" opposite hand.



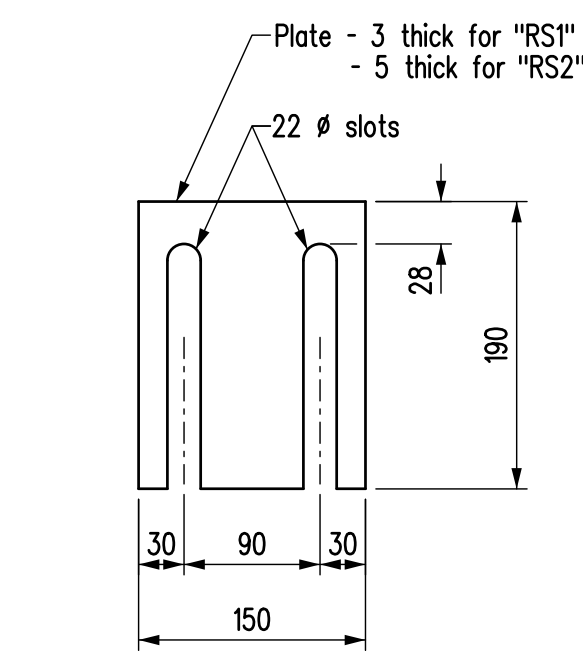
**SECTION A-A**  
Typical for railposts Mk. "GP1" & "GP2"

**WASHER MK. "A"**

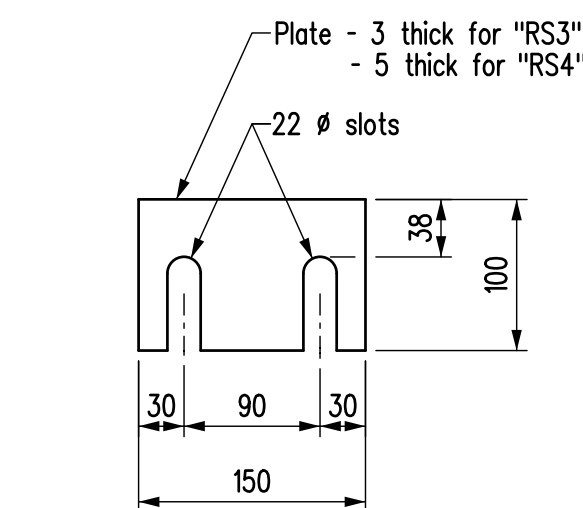
Scale 1:2



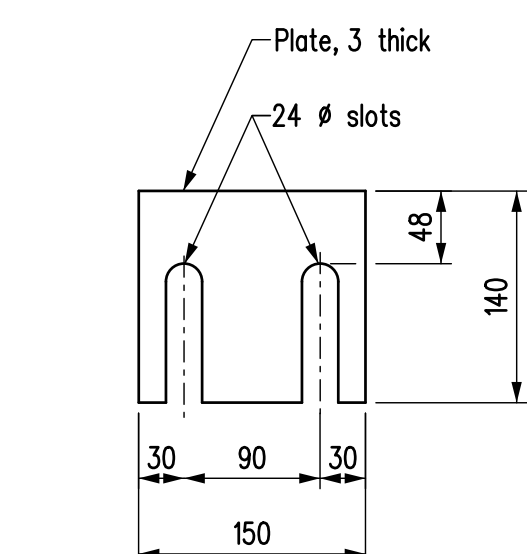
**WASHER MK. "BB1"**



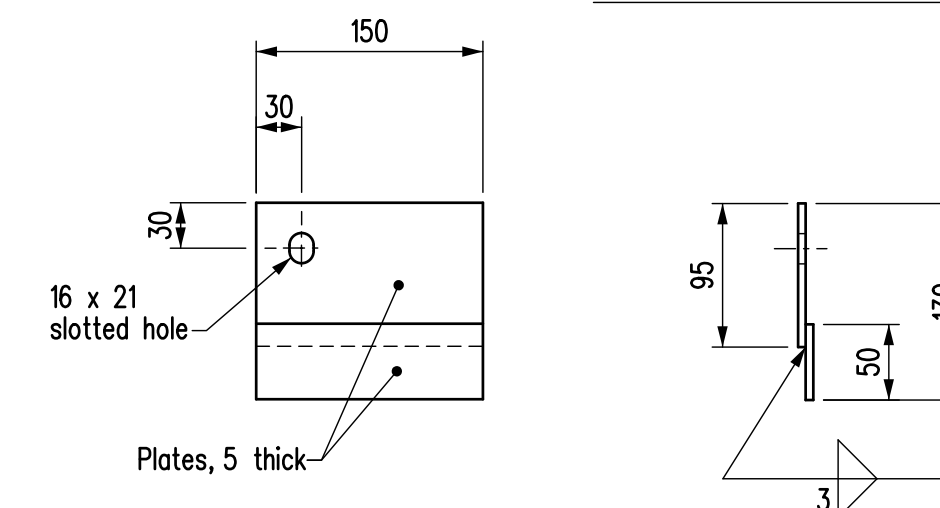
**SHIMS MK. "RS1" & "RS2"**



**SHIMS MK. "RS3" & "RS4"**



**SHIM MK. "RS5"**



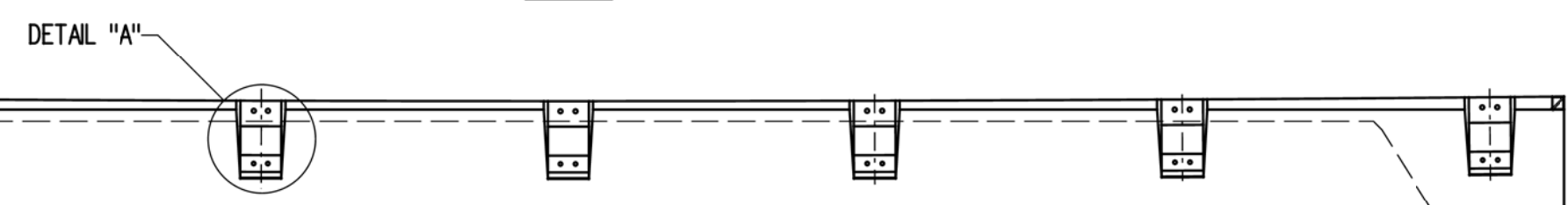
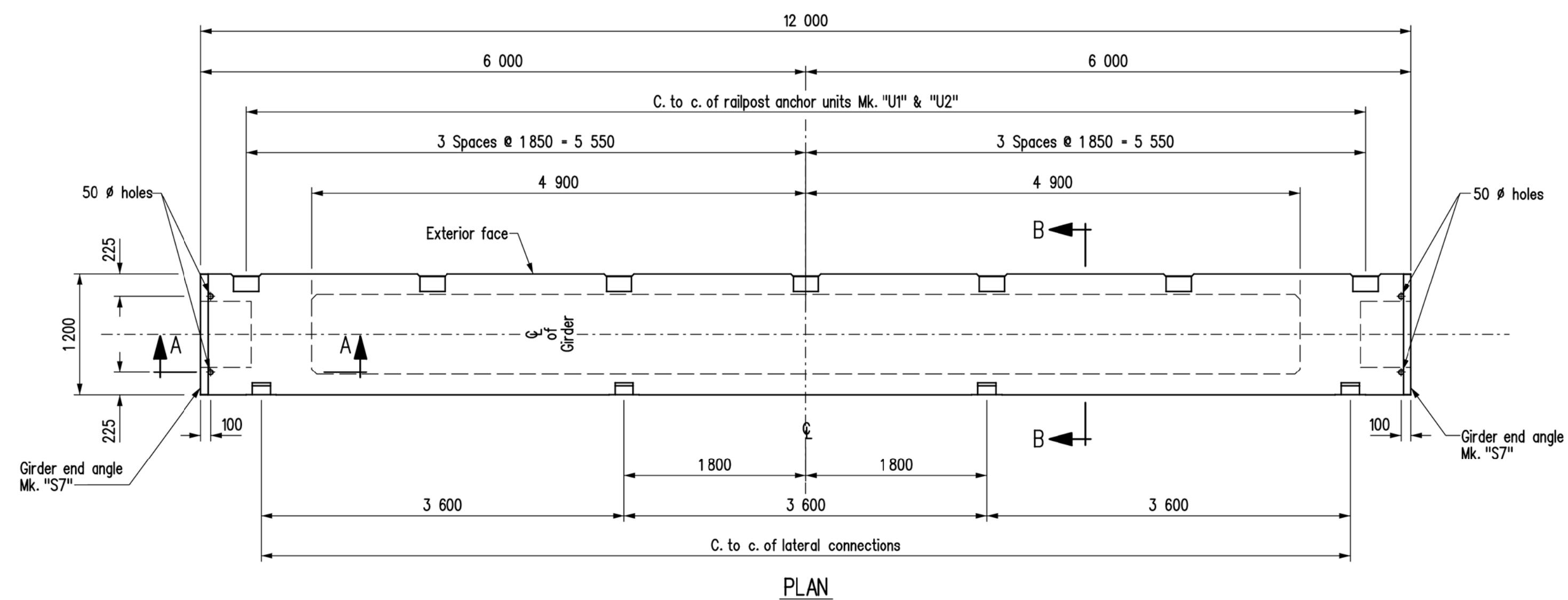
**EDGE SCREED RETAINER**

BILL OF MISCELLANEOUS METAL for BRIDGE RAIL - 2 SPAN							Site No.		
MARK No.	No.	DESCRIPTION	CORROSION PROTECTION	SIZE	LENGTH	REMARKS	COMPONENT MASS	MASS PER UNIT	TOTAL MASS
GP1	24	Railpost	Hot dip galvanized						953.93
		Each unit to be fabricated from:							
		1 - Post		W150 x 30	1 235	As detailed	36.281	36.281	
		2 - Plates		PL8 x 138	200	As detailed	1.733	3.466	
GP2	4	Railpost	Hot dip galvanized						158.51
		Each unit to be fabricated from:							
		1 - Post		W150 x 30	1 235	As detailed	36.161	36.161	
		2 - Plates		PL8 x 138	200	As detailed	1.733	3.466	
T1	4	Top rail	Hot dip galvanized						624.75
		Each unit to be fabricated from:							
		1 - Hollow structural section		HSS203x102x6.4	5 540	As detailed	156.188		
T2	4	Top rail	Hot dip galvanized						677.98
		Each unit to be fabricated from:							
		1 - Hollow structural section		HSS203x102x6.4	5 962	As detailed	167.982	167.982	
		1 - Plate		PL12 x 88	190	As detailed	1.514	1.514	
T3	2	Top rail	Hot dip galvanized						50.13
		Each unit to be fabricated from:							
		1 - Hollow structural section		HSS203x102x6.4	891	As detailed	25.066		
B1	4	Bottom rail	Hot dip galvanized						535.02
		Each unit to be fabricated from:							
		1 - Hollow structural section		HSS102x102x6.4	7 390	As detailed	133.755		
B4	4	Bottom rail	Hot dip galvanized						300.24
		Each unit to be fabricated from:							
		1 - Hollow structural section		HSS102x102x6.4	4 112	As detailed	74.392		
		1 - Plate		PL12 x 88	88	As detailed	0.668	0.668	
B5	2	Bottom rail	Hot dip galvanized						32.13
		Each unit to be fabricated from:							
		1 - Hollow structural section		HSS102x102x6.4	891	As detailed	16.067		
ST1	2	Sleeve	Hot dip galvanized						83.00
		Each unit to be fabricated from:							
		2 - Plates			1 516	As detailed	20.749	41.498	
ST2	4	Sleeve	Hot dip galvanized						66.10
		Each unit to be fabricated from:							
		2 - Plates			600	As detailed	8.263	16.526	
SB1	2	Sleeve	Hot dip galvanized						45.49
		Each unit to be fabricated from:							
		2 - Plates			1 516	As detailed	11.372	22.744	
SB2	4	Sleeve	Hot dip galvanized						37.17
		Each unit to be fabricated from:							
		2 - Plates			600	As detailed	4.646	9.292	
CP1	2	Connection plate	Hot dip galvanized						83.21
CP2	2	Connection plate	Hot dip galvanized						83.21
CA1	2	Connection angle	Hot dip galvanized	L102x102x9.5	550	As detailed	7.864	15.73	
CA2	2	Connection angle	Hot dip galvanized	L102x102x9.5	550	As detailed	7.864	15.73	
A	56	Washer	Hot dip galvanized	PL8x60	60	As detailed	0.226	12.66	
BB1	28	Washer	Hot dip galvanized	PL16x100	150	As detailed	1.884	52.75	
C1	120	Bolts c/w hex nuts	Hot dip galvanized	19 dia.	150	Round head, square neck bolt c/w 1 hex nut	0.424	50.88	
C2	24	Bolts c/w hex nuts	Hot dip galvanized	19 dia.	165	Hex bolt c/w 1 hex nut	0.466	11.18	
C3	8	Bolts c/w hex nuts	Hot dip galvanized	19 dia.	65	Hex bolt c/w 1 hex nut	0.249	1.99	
C4	8	Bolts c/w hex nuts	Hot dip galvanized	22 dia.	50	Hex bolt c/w 1 hex nut	0.327	2.62	
C5	8	Bolts - no nuts	Hot dip galvanized	19 dia.	38	Hex bolt - no nuts	0.145	1.16	
C6	24	Bolts c/w hex nuts	Hot dip galvanized	13 dia.	38	Hex bolt c/w 1 hex nut	0.070	1.68	
C7	12	Bolts c/w hex nuts	Hot dip galvanized	22 dia.	65	Hex bolt c/w 1 hex nut	0.215	2.58	
8	Edge screed angle	Hot dip galvanized		L38x38x4.8	6 000	As detailed	16.020	128.16	
24	Edge screed retainers	Hot dip galvanized						20.23	
	Each unit to be fabricated from:								
		1 - Plate		PL5x95	150	As detailed	0.549	0.549	
		1 - Plate		PL5x50	150	As detailed	0.294	0.294	
								0.843	
20	Standard flat washer	Hot dip galvanized	for 22 dia. bolts			1 per bolt Mk. "C4" & "C7"	0.032	0.64	
160	Standard flat washer	Hot dip galvanized	for 19 dia. bolts			1 per bolt Mk. "C1", "C2", "C3" & "C5"	0.022	3.52	
24	Standard flat washer	Hot dip galvanized	for 13 dia. bolts			1 per bolt Mk. "C6"	0.010	0.24	
160	Standard lock washer	Hot dip galvanized	for 19 dia. bolts			1 per bolt Mk. "C1", "C2", "C3" & "C5"	0.019	3.04	
24	Standard lock washer	Hot dip galvanized	for 13 dia. bolts			1 per bolt Mk. "C6"	0.007	0.17	
20	Standard lock washer	Hot dip galvanized	for 22 dia. bolts			1 per bolt Mk. "C4" & "C7"	0.027	0.54	
RS1	48	Shims	Hot dip galvanized	PL3x150	190	As detailed	0.506	24.29	
RS2	48	Shims	Hot dip galvanized	PL5x150	190	As detailed	0.843	40.46	
RS3	144	Shims	Hot dip galvanized	PL3x150	100	As detailed	0.291	41.90	
RS4	48	Shims	Hot dip galvanized	PL5x150	100	As detailed	0.486	23.33	
RS5	96	Shims	Hot dip galvanized	PL3x140	150	As detailed	0.394	37.82	
									<b>TOTAL MASS (kg) = 4224.18</b>

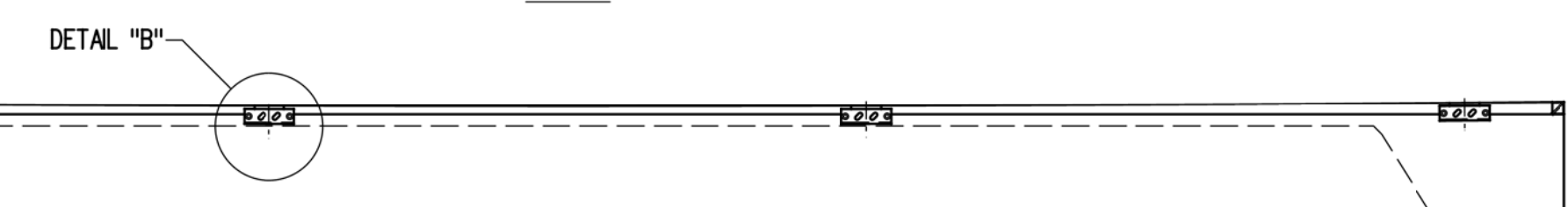
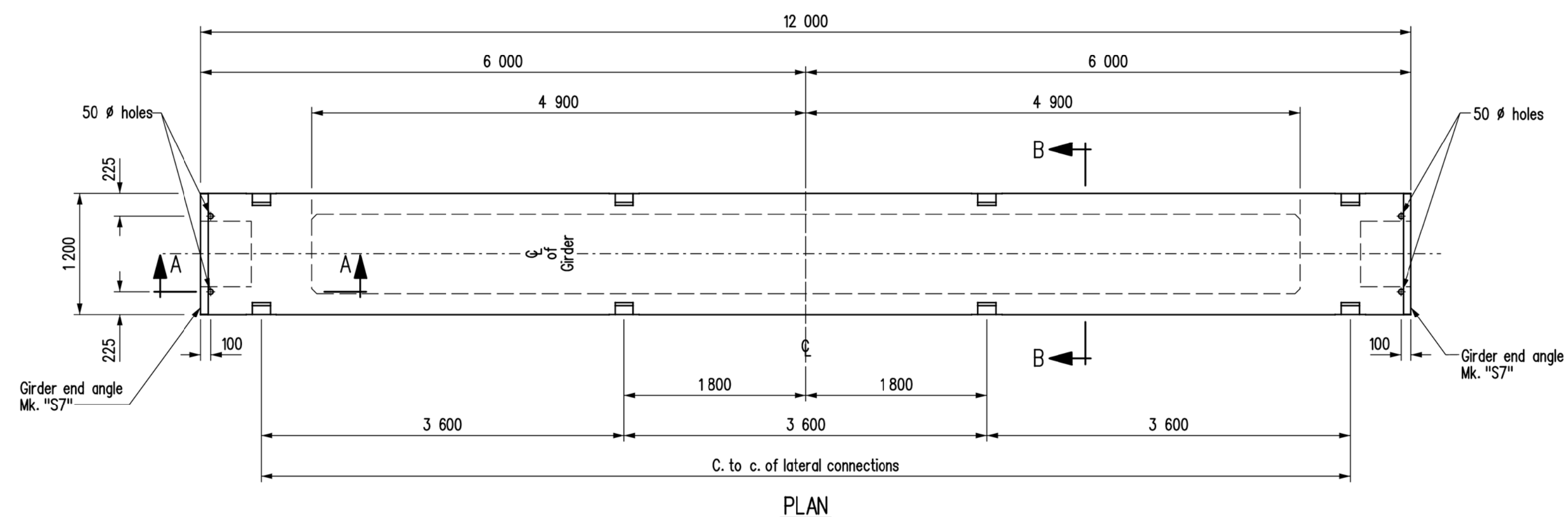
- NOTES:
- HSS rail shall conform to CAN/CSA-G40.21-M92 Grade 350W.
  - All steel plates shall conform to the requirements of CAN/CSA-G40.21-M92 Grade 300W.
  - W150 x 30 railpost shall conform to CAN/CSA-G40.21-M92 Grade 350W.
  - Welding shall meet the current requirements of the American Welding Society, Structural Welding Code ANSI/AASHTO/AWS D1.5.
  - All bolts shall conform to the requirements of ASTM A307 or approved equal, unless noted otherwise.
  - All material noted in the above Bill shall be hot dip galvanized after fabrication in accordance with CSA G164 for a minimum net retention of 610 g/m<sup>2</sup> unless otherwise stated in the specified material ASTM standards. The fabricator and galvanizer shall safeguard against embrittlement using recommended practices from applicable standards.
  - Seal all welds prior to galvanizing.
  - Apply Galvalloy to all field welds and areas where galvanizing has been damaged.
  - All bolts and threaded rod in the above Bill shall be Imperial thread.

REVISIONS		RAILPOST DETAILS	
DATE	BY	DESCRIPTION	RELEASED FOR CONSTRUCTION BY:
DESIGN SEAL	RECORD SEAL		
			EXECUTIVE DIRECTOR OF STRUCTURES
			DATE
		SCALE:	SHEET No.
Detailed description of revisions and seals.	1:5	or as shown	SITE No.

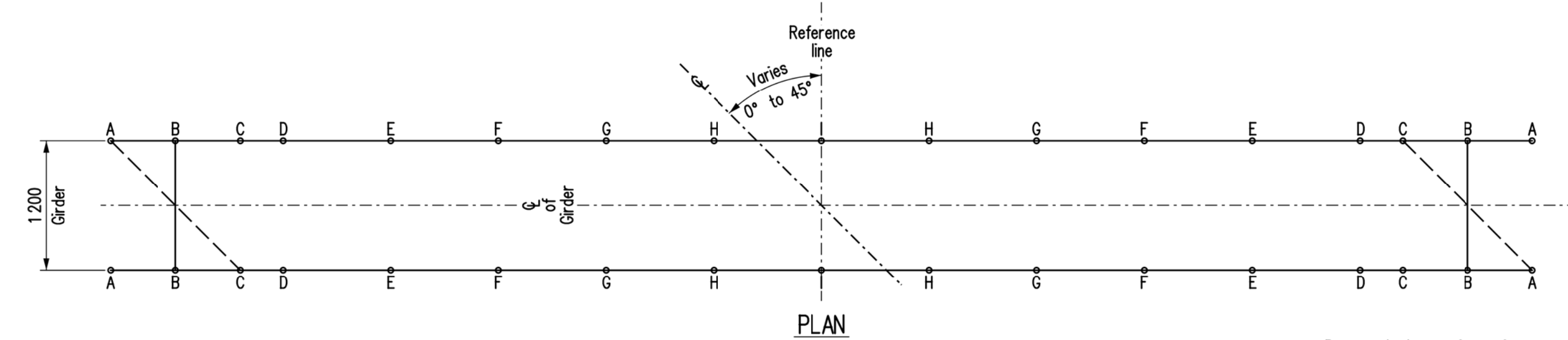




EXTERIOR GIRDER MK. "G1"



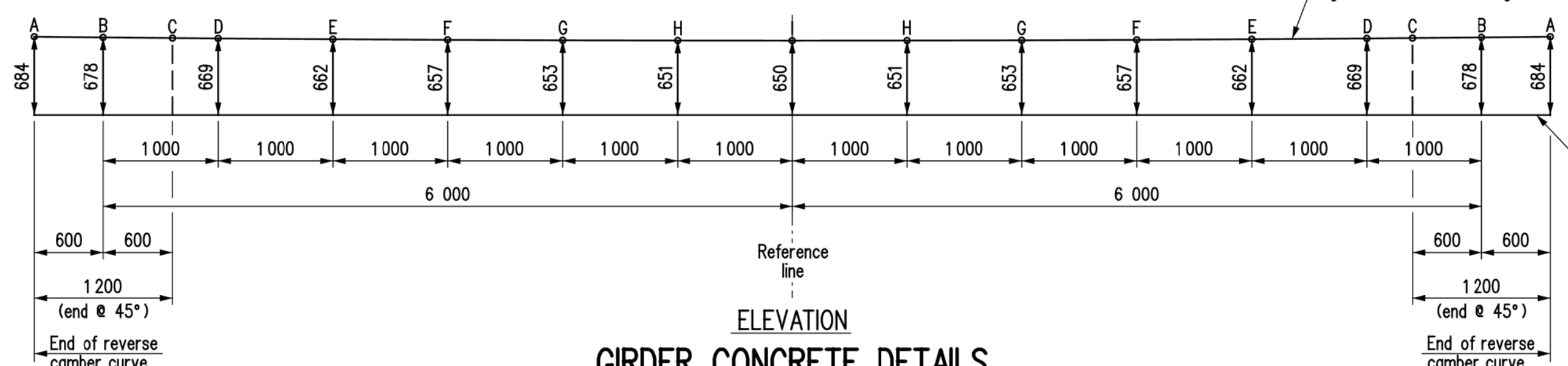
INTERIOR GIRDER MK. "G2"



NOTE: Top surface of girder shall be screeded perpendicular to side forms

Represents top surface of girder before distressing

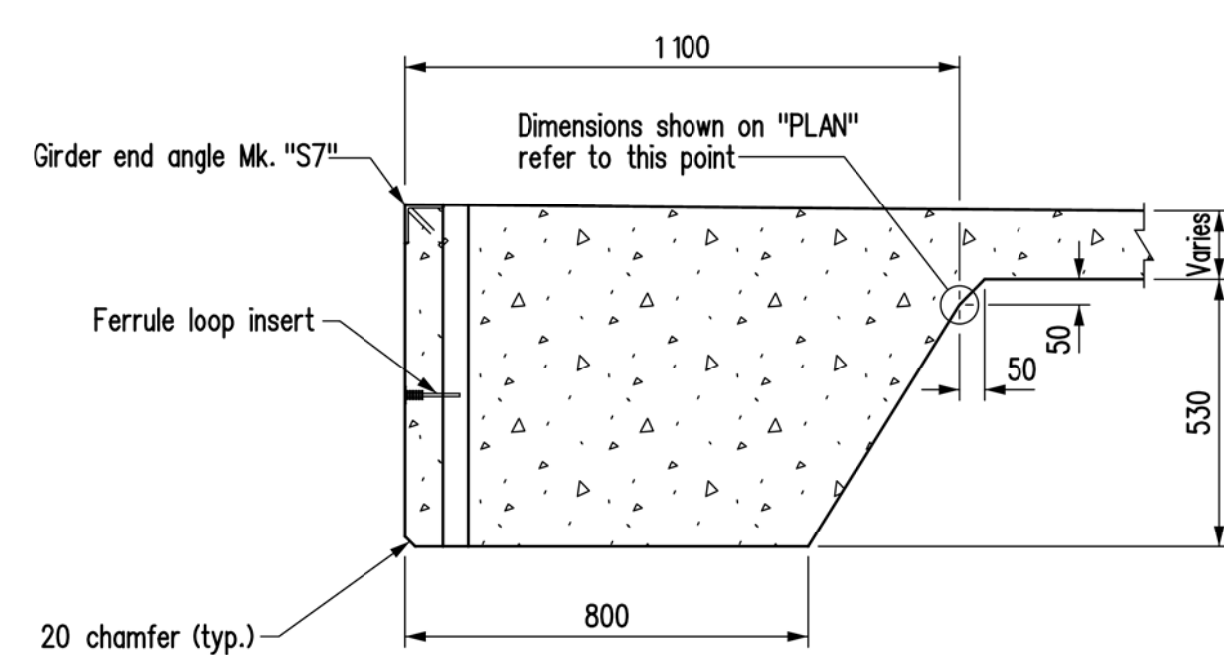
Represents bottom surface of girder before distressing (level)



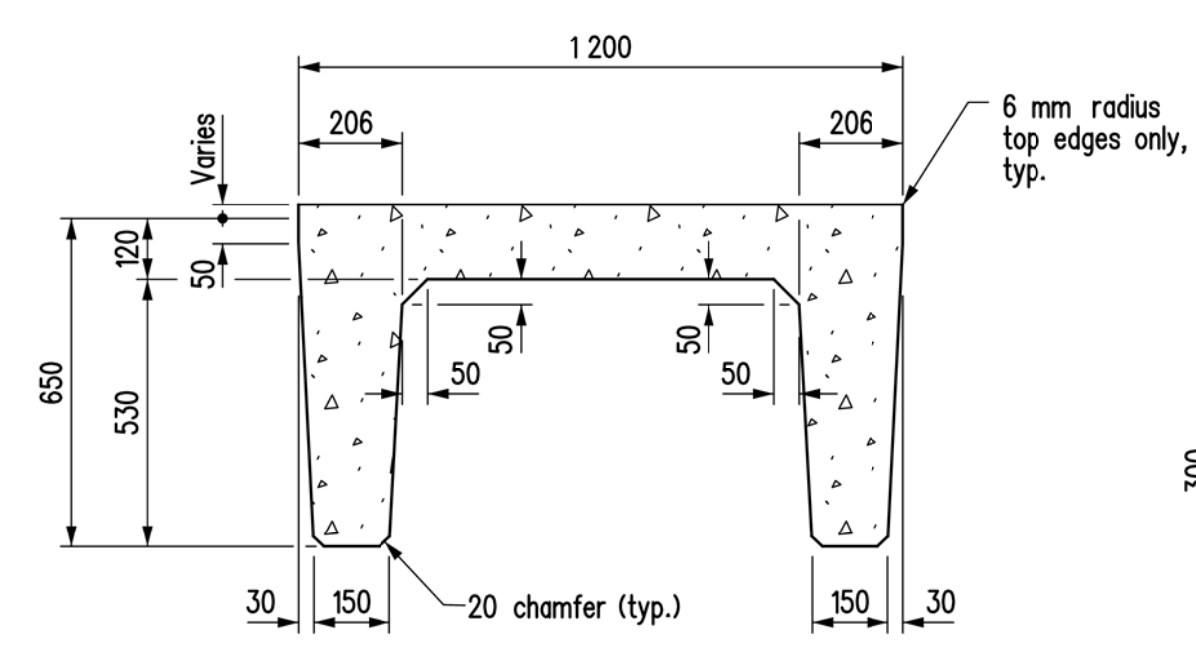
GIRDER CONCRETE DETAILS

Showing variable depth of girder to eliminate camber on top surface after distressing

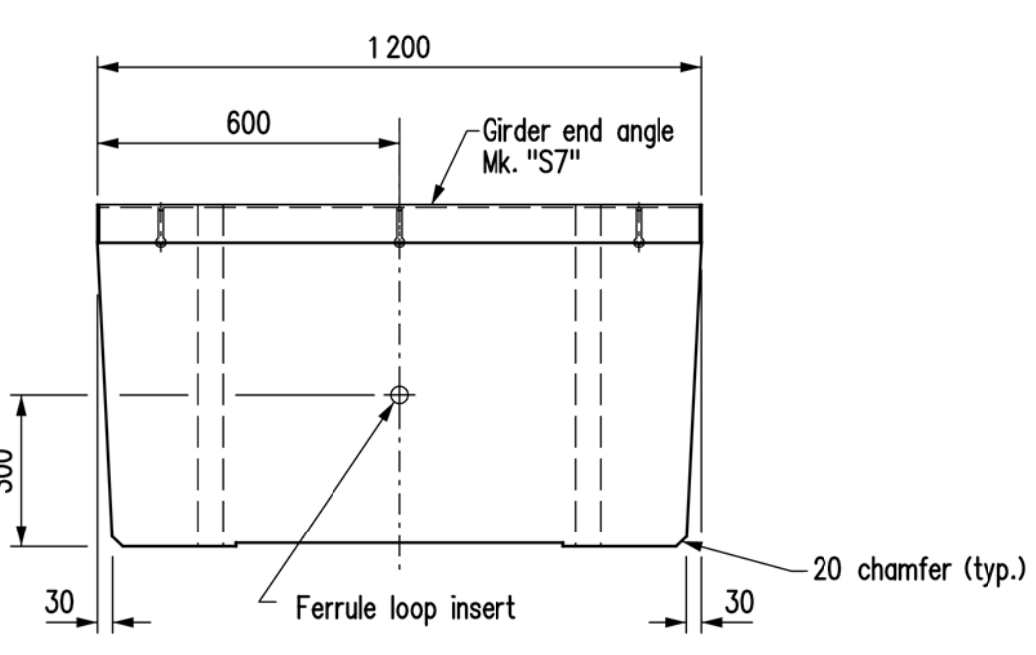
NOTE: The end of girder will fall between POINT "A" and POINT "C" on curve because of various skew angles.



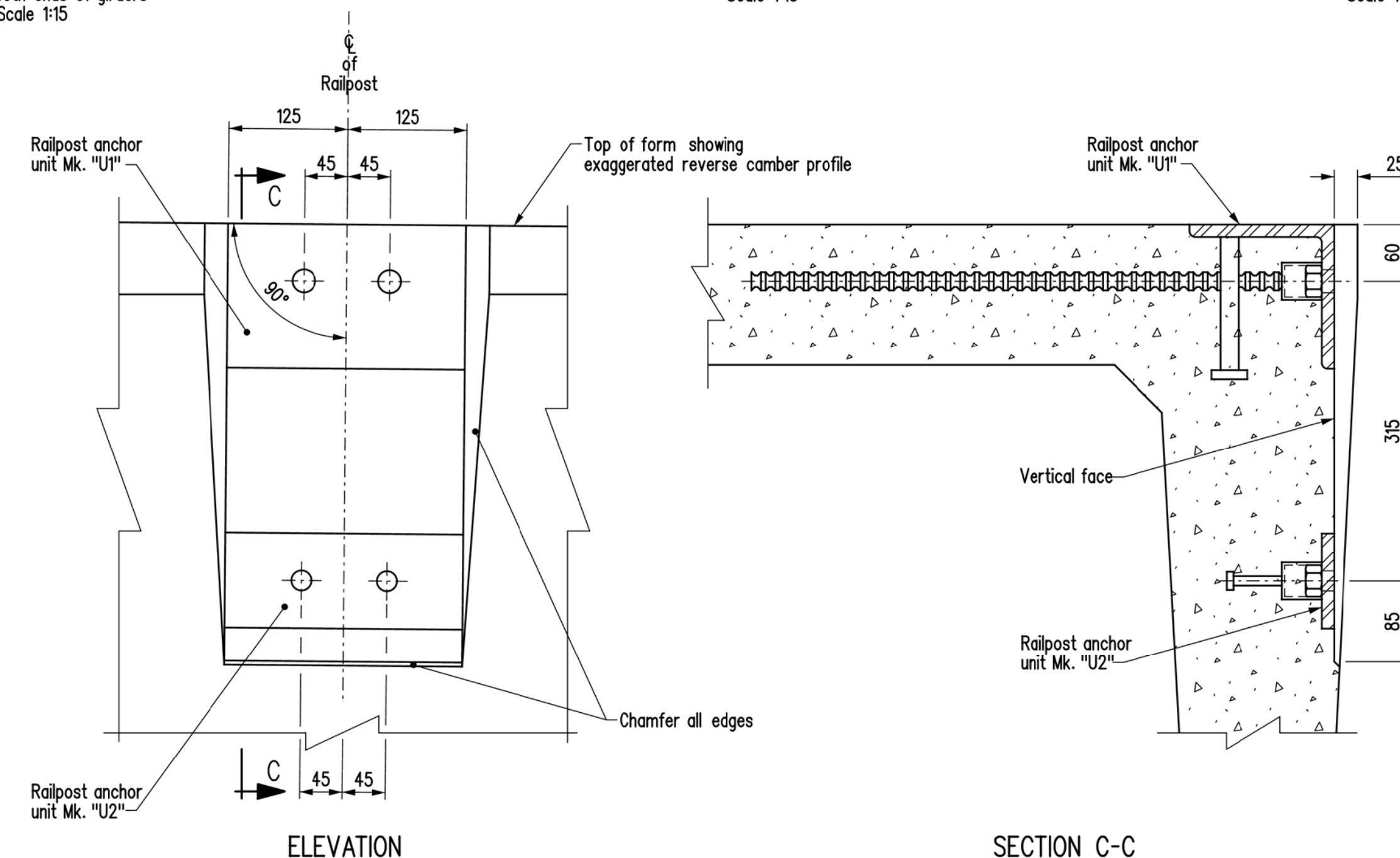
SECTION A-A  
Typical at both ends of girders  
Scale 1:15



SECTION B-B  
Scale 1:15



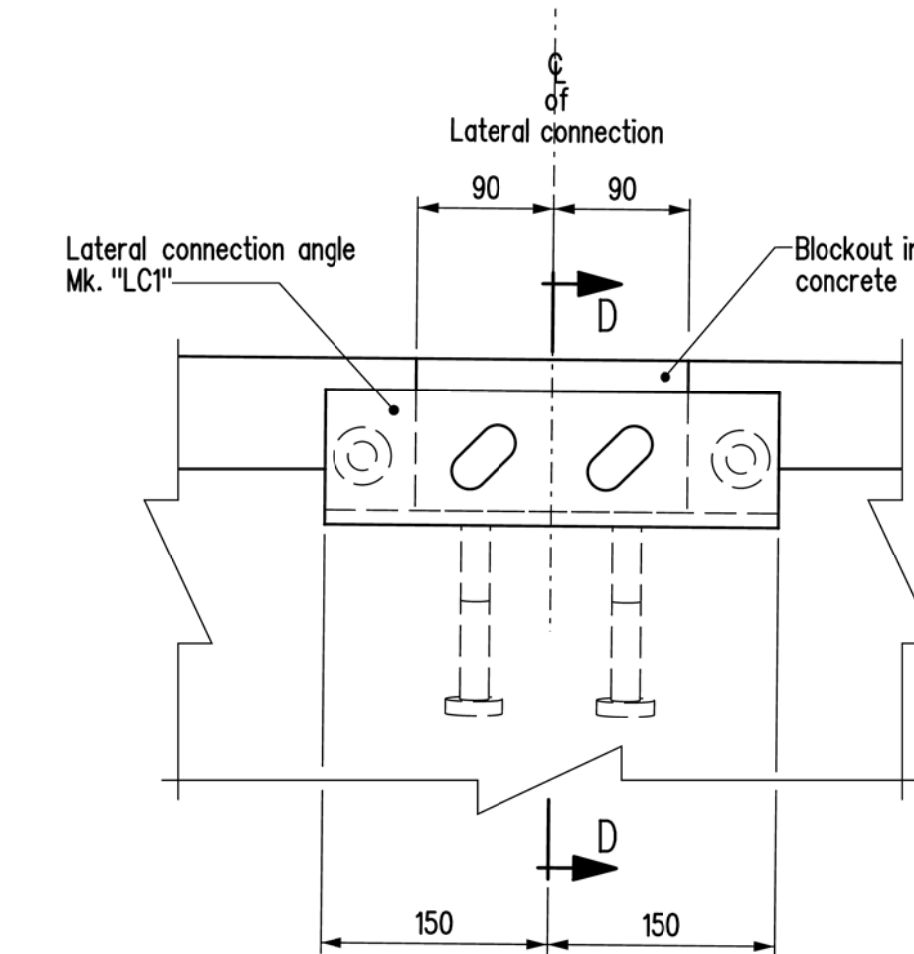
END VIEW  
Scale 1:15



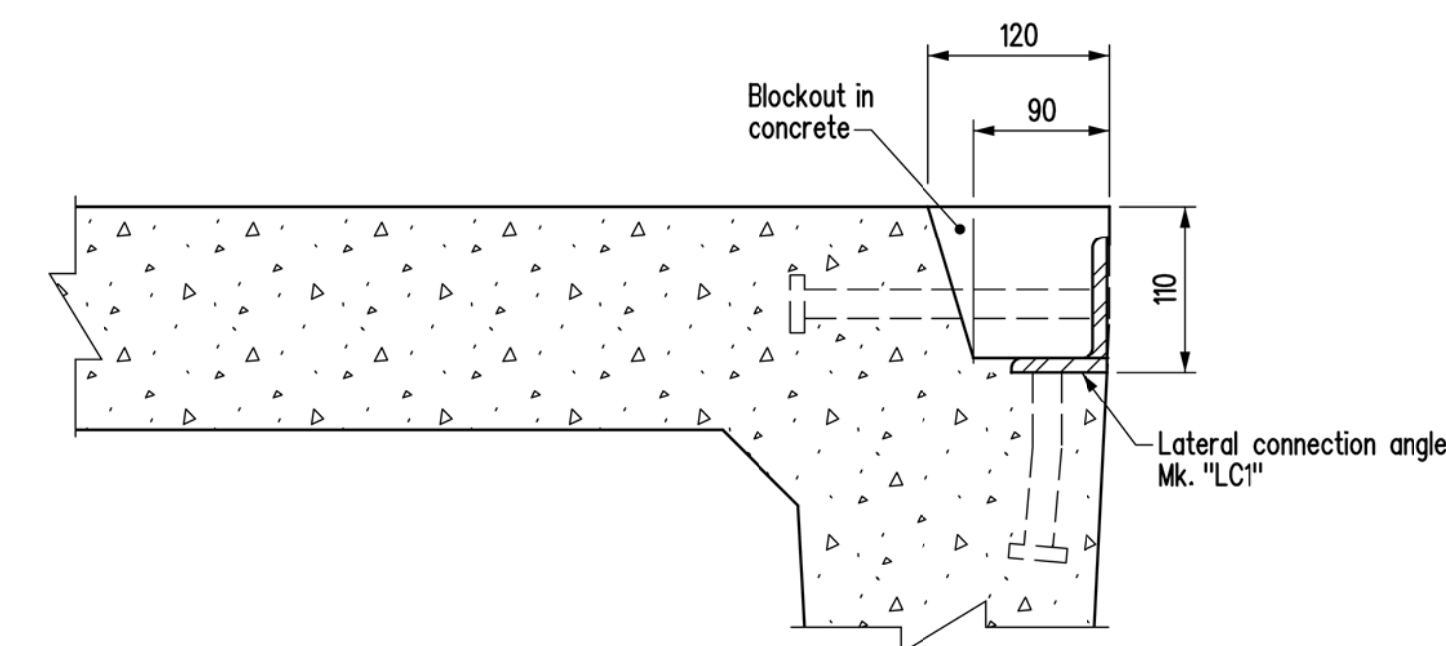
ELEVATION

SECTION C-C

DETAIL "A"  
Scale 1:5



ELEVATION



SECTION D-D

DETAIL "B"  
Scale 1:5

NOTES:

- Design in accordance with AASHTO LRFD Bridge Design Specifications, First Edition, 1994 plus 1996/1997 interim's.
- Design Vehicular Live Load: Modified AASHTO HSS-25 AASHTO LRFD "HL-93"
- Design distribution factor = 0.5 lanes/girder.
- Concrete strength:  $f_c$  transfer,  $f_{ci}$  = 35 MPa  
 $f_c$  28 days,  $f_c$  = 45 MPa
- Prestressing steel: 13 mm  $\phi$  low relaxation strands  
Minimum ultimate strength,  $f_{pu}$  = 1860 MPa  
Jacking force/strand,  $f_{pj}$  = 128.5 kN/strand
- Girder dimensioning tolerances: Length 3 mm  $\pm$   
Cross section 2 mm  $\pm$
- Approximate mass per girder = 12 000 kg

REVISIONS		PRECAST PRESTRESSED CHANNEL GIRDER DETAILS	
DATE	BY	DESCRIPTION	RELEASED FOR CONSTRUCTION
			BY: _____
			EXECUTIVE DIRECTOR OF STRUCTURES DATE
			SCALE: _____
			Scale 1:40 SHEET No. G1
			or as shown SITE No. _____



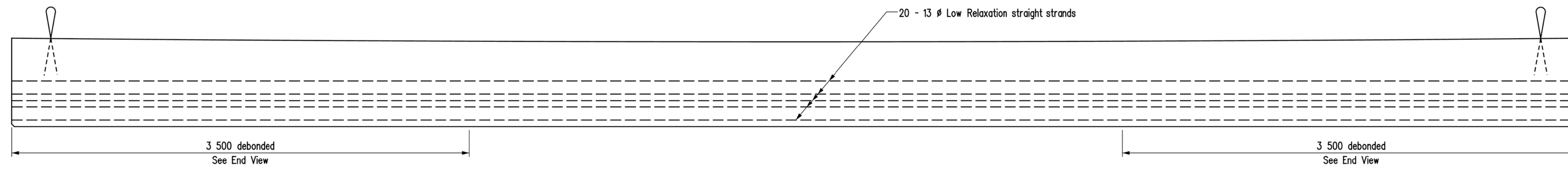
PLACE ENGINEERS ELECTRONIC SEAL HERE

DESIGN BY: B.A.N.

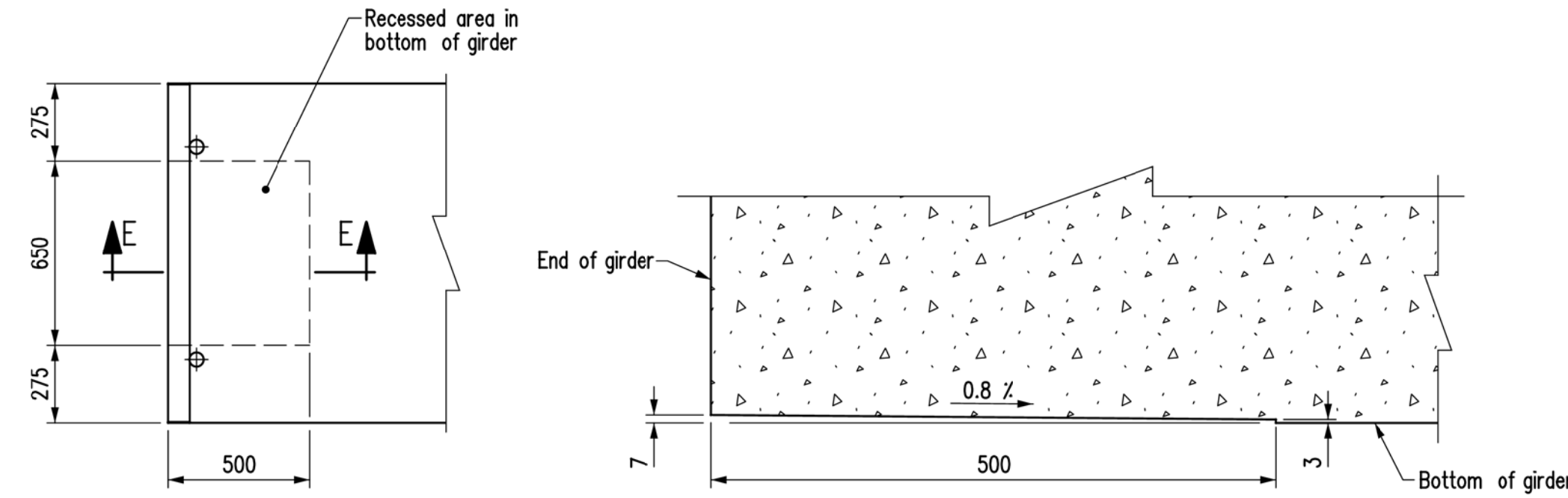
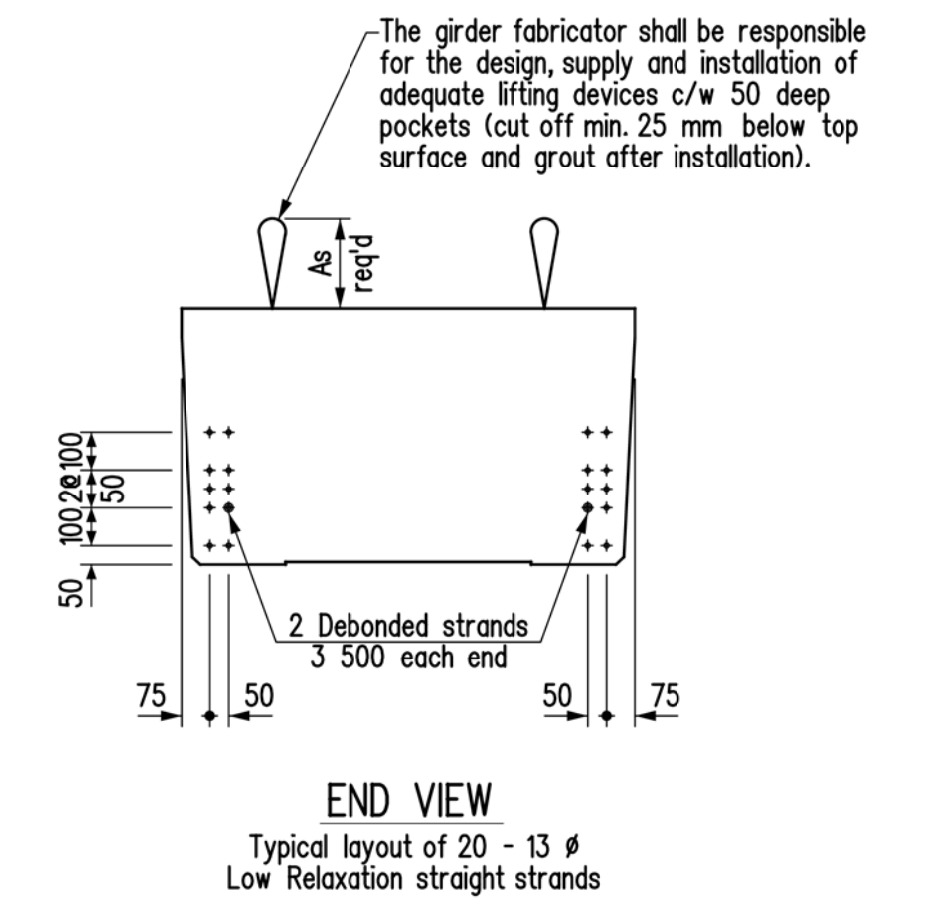
CHECKED: \_\_\_\_\_

DETAILS BY: K.P.

CHECKED: \_\_\_\_\_




ELEVATION  
GIRDER STRAND LAYOUT



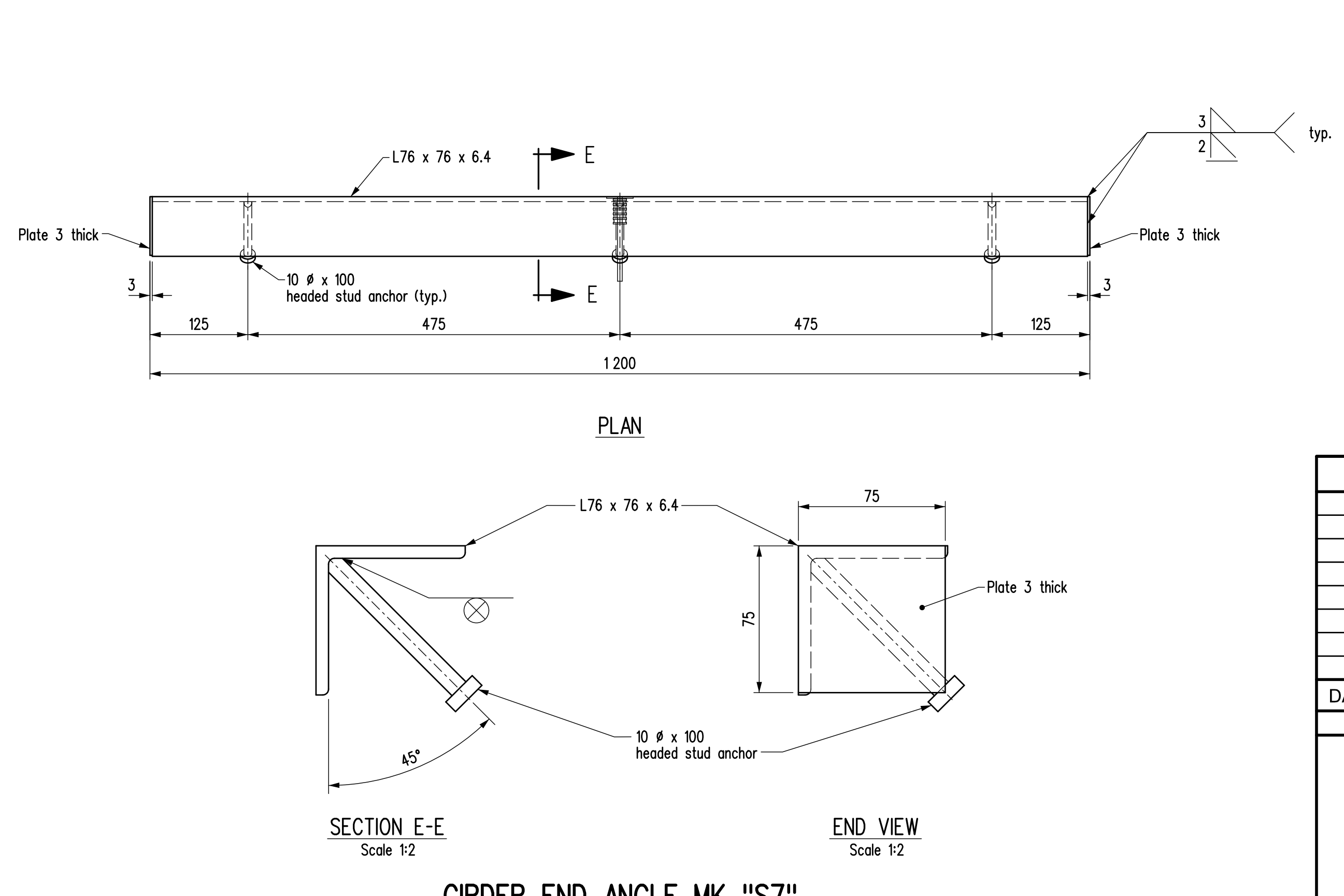
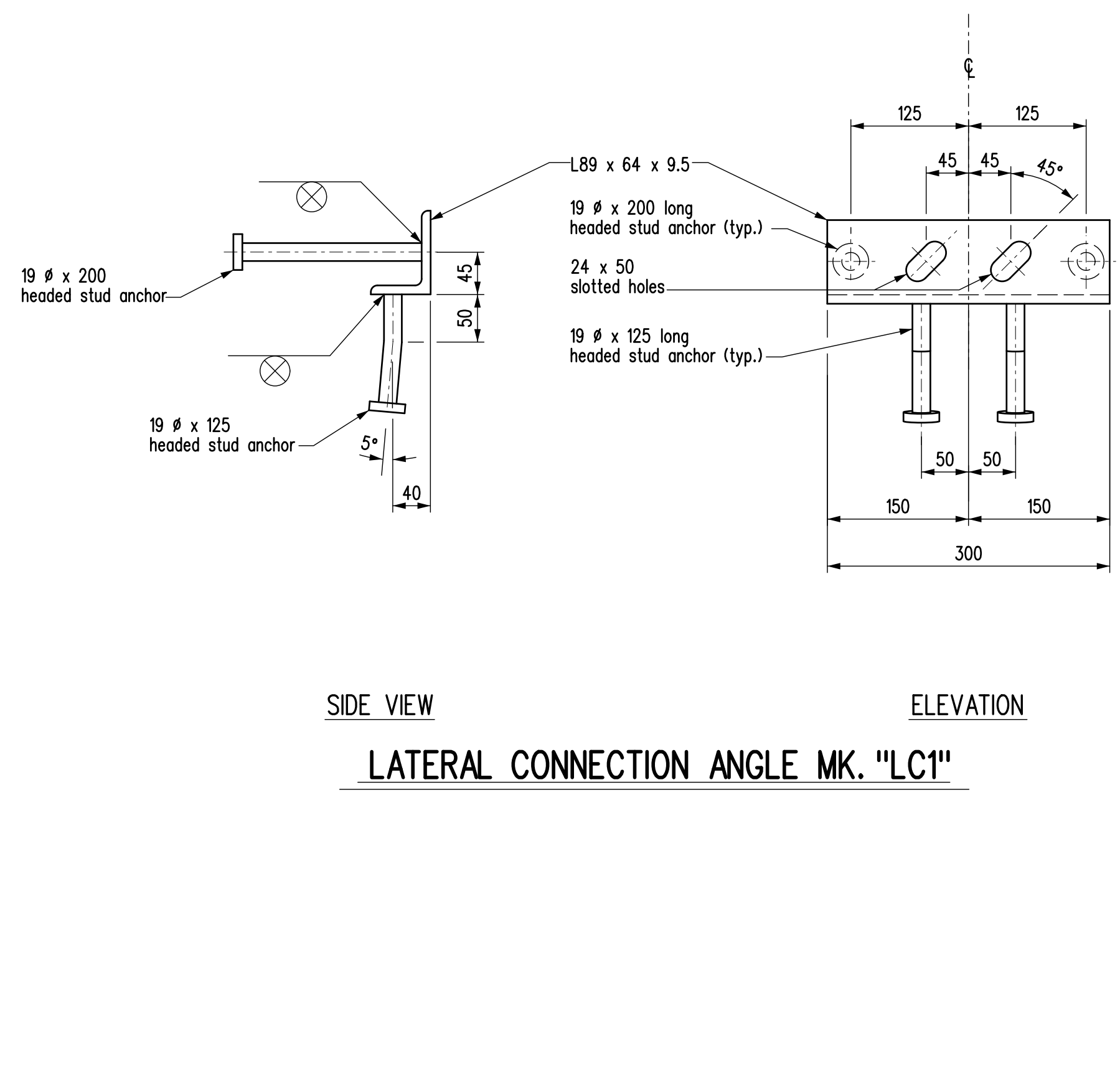
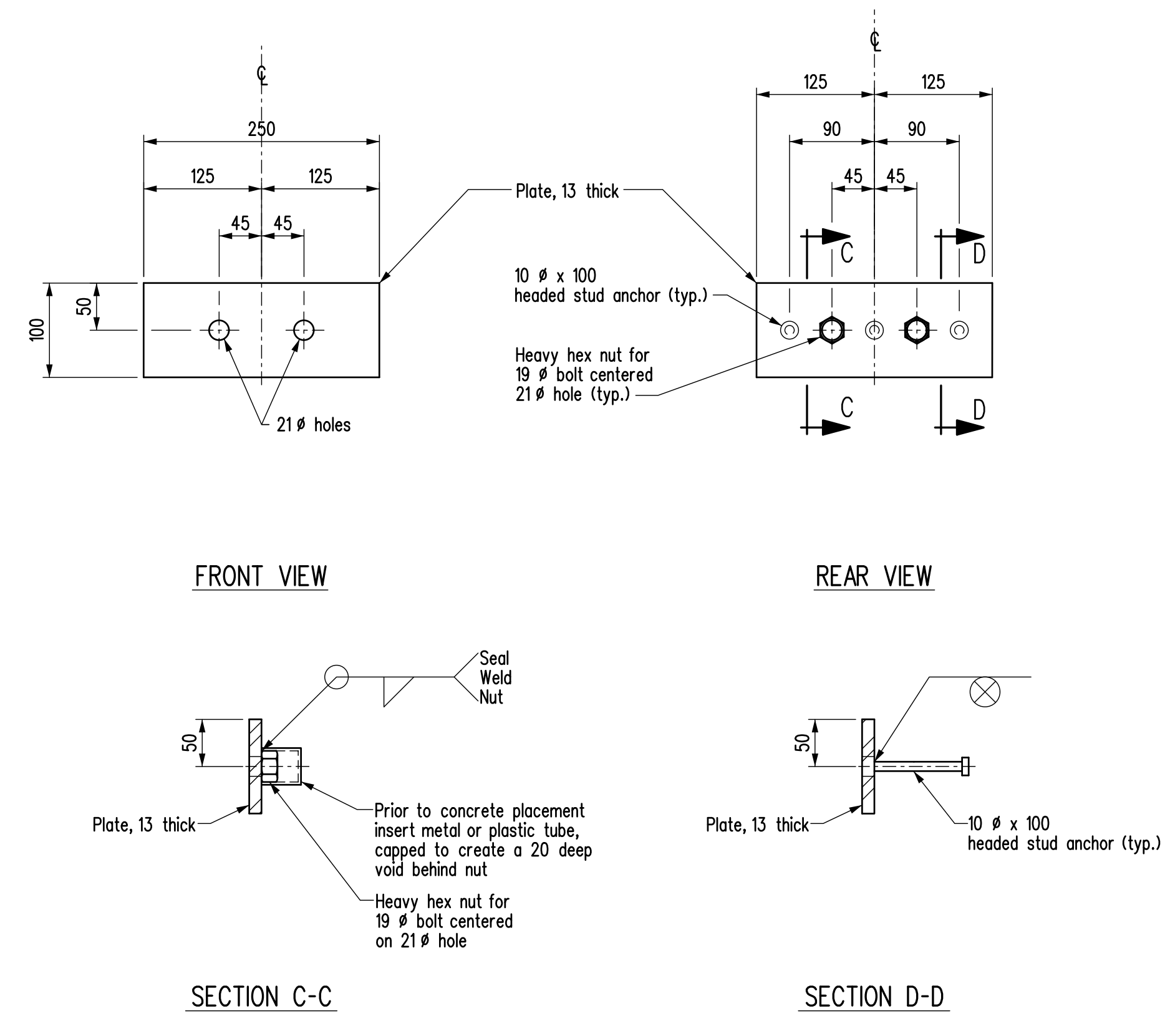
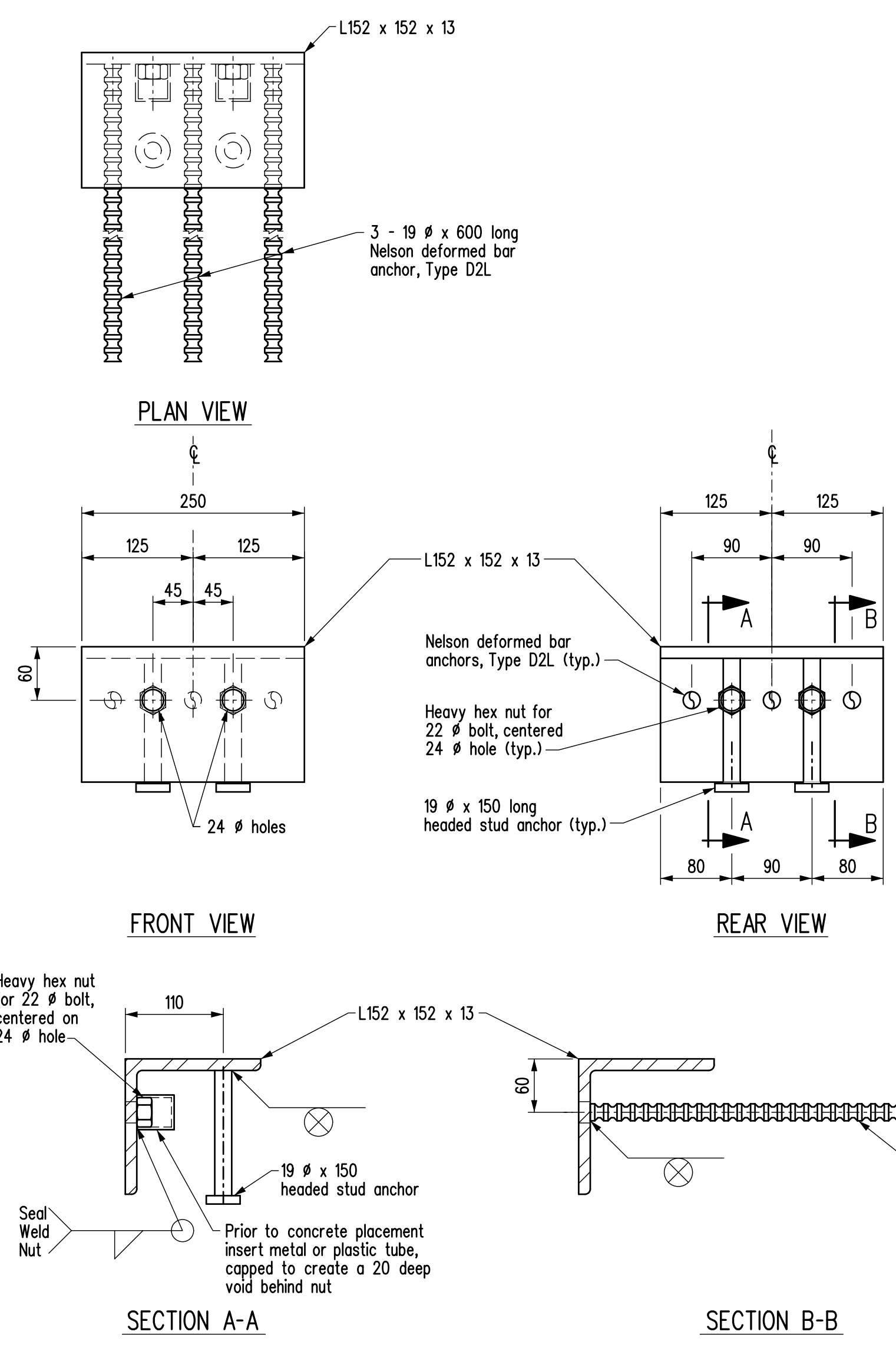
PART PLAN  
Typical at both ends of girders

SECTION E-E  
Scale 1:5

BEARING RECESS DETAILS

REVISIONS		PRECAST PRESTRESSED CHANNEL GIRDER DETAILS	
DATE	DESCRIPTION		
			RELEASED FOR CONSTRUCTION BY:
			EXECUTIVE DIRECTOR OF STRUCTURES DATE
DESIGN	BY: <u>B.A.N.</u>	SCALE: Scale 1:20 SHEET No. <u>G2</u>	or as shown SITE No. <u>  </u>
DETAILS	BY: <u>K.P.</u>		

PLACE ENGINEERS  
ELECTRONIC SEAL  
HERE



**BILL OF MISCELLANEOUS METAL for 12 m LONG GIRDERS 9 600 ROADWAY WIDTH - 2 SPANS**

MARK No.	No.	DESCRIPTION	CORROSION PROTECTION	SIZE	LENGTH	REMARKS
U1	28	Railpost anchor unit	Hot dip galvanized			
		Each unit is fabricated from:				
		1 - Angle		L152x152x13	250	As detailed
		2 - Heavy hex. Nuts		for 22 dia. bolt		Grade DH or 2H
		2 - Studs		19 dia.	150	Headed stud anchors, ASTM A108
		3 - Bars		for 19 dia. bolt	600	Nelson deformed bar anchors, Type D2L
		2 - Tubes				Metal or plastic capped - As detailed
U2	28	Railpost anchor unit	Hot dip galvanized			
		Each unit is fabricated from:				
		1 - Plate		PL 13x100	250	As detailed
		2 - Heavy hex. Nuts		for 19 dia. bolt		Grade DH or 2H
		3 - Studs		10 dia.	100	Headed stud anchors, ASTM A108
		2 - Tubes				Metal or plastic capped - As detailed
LC1	112	Lateral connection angle	Hot dip galvanized			
		Each unit is fabricated from:				
		1 - Angle		L89x64x9.5	300	As detailed
		2 - Studs		19 dia.	200	Headed stud anchors, ASTM A108
		2 - Studs		19 dia.	125	Headed stud anchors, ASTM A108
S7	32	Girder end angle	Hot dip galvanized			
		Each unit is fabricated from:				
		1 - Angle		L76x76x6.4	1 194	As detailed
		2 - Plates		PL 3x75	75	As detailed
		3 - Studs		10 dia.	100	Headed stud anchors, ASTM A108
32		Ferrule loop insert	Stainless steel	for 13 dia. bolt		Richmond anchor, Type LF-W with mounting washer
TR2	16	Threaded rod	Stainless steel	13 dia.	250	c/w hex. nut
R27	56	A325 bolt c/w F436 hardened washer	Hot dip galvanized	22 dia.	229	Heavy hex. no nut, ASTM F3125
R28	56	A325 bolt c/w F436 hardened washer	Hot dip galvanized	19 dia.	64	Heavy hex. no nut, ASTM F3125

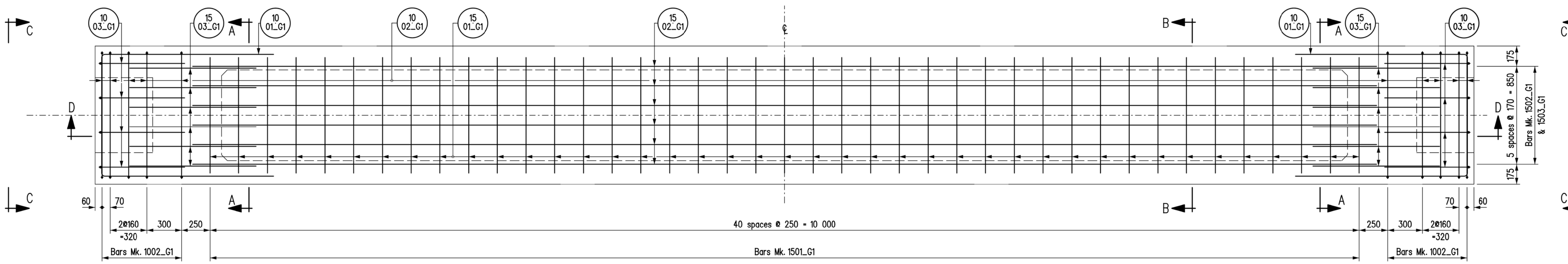
- NOTES:**
- All material in the above Bill shall be supplied by the GIRDER CONTRACTOR.
  - All structural steel shall conform to CAN/CSA G40.21-M92 Grade 300W.
  - All material noted in the above Bill shall be hot dip galvanized after fabrication in accordance with CSA G164 for a minimum net retention of 610 g/m<sup>2</sup> unless otherwise stated in the specified material ASTM standards. The fabricator and galvanizer shall safeguard against embrittlement using recommended practices from applicable standards.
  - Seal all welds prior to galvanizing.
  - Grade DH or 2H galvanized nuts for A325 bolts shall be overlapped to a minimum amount required for the fastener assembly in accordance with ASTM F3125. The nuts shall be lubricated with a lubricant containing a visible dye. The lubricant shall be clean and dry to the touch.
  - All bolts and inserts in the above Bill shall be Imperial thread.
  - Stainless steel shall conform to the requirements of ASTM A320, Class B8.

REVISIONS		PRECAST PRESTRESSED CHANNEL GIRDER DETAILS	
DATE	BY	DESCRIPTION	RELEASED FOR CONSTRUCTION BY:

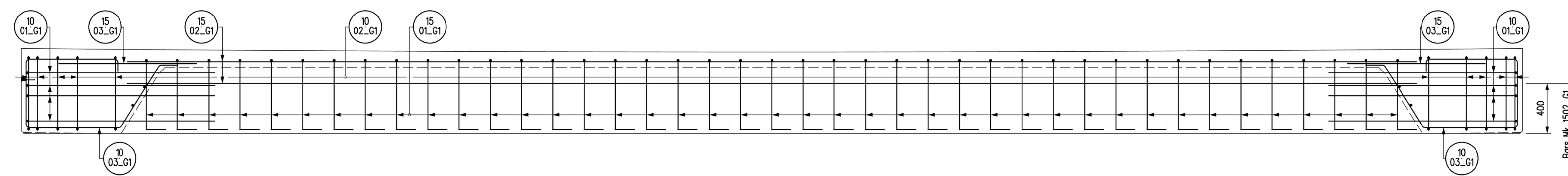
  

<b>Manitoba Infrastructure</b> Water Management and Structures	BY: <u>B.A.N.</u>	EXECUTIVE DIRECTOR OF STRUCTURES	DATE:
	CHECKED:	SCALE: <u>Scale 1:5</u>	SHEET No. <u>G3</u>
BY: <u>K.P.</u>	or as shown	SITE No.	
CHECKED:			

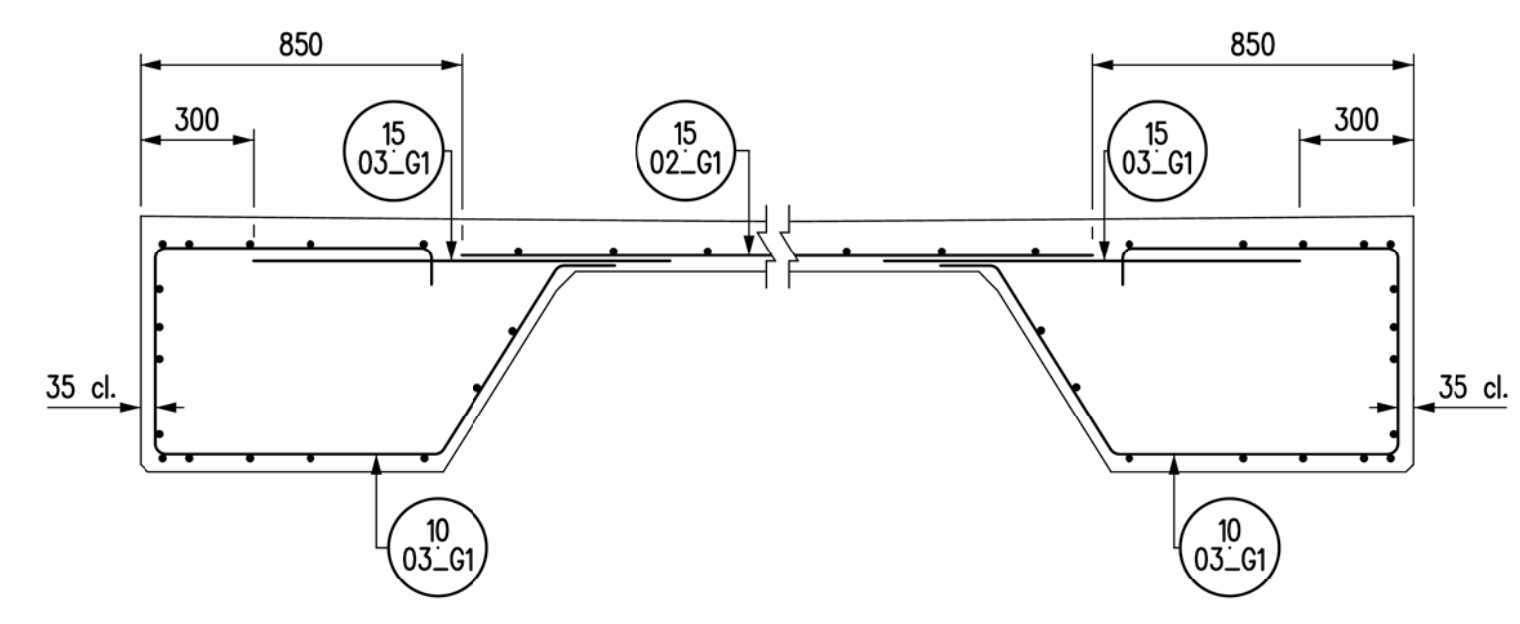
PLACE ENGINEERS ELECTRONIC SEAL HERE



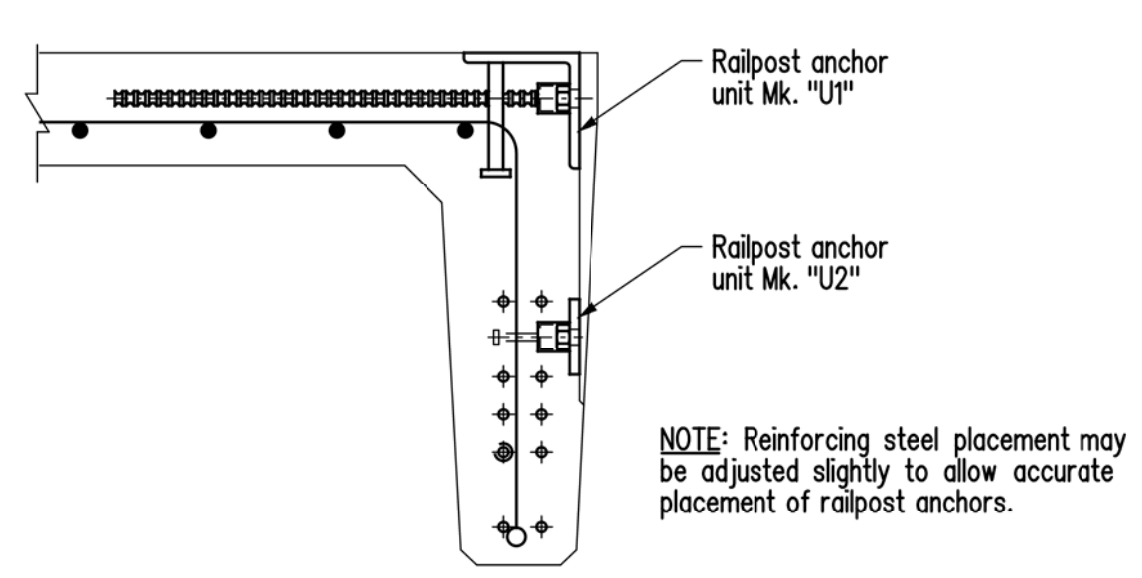
PLAN OF GIRDER



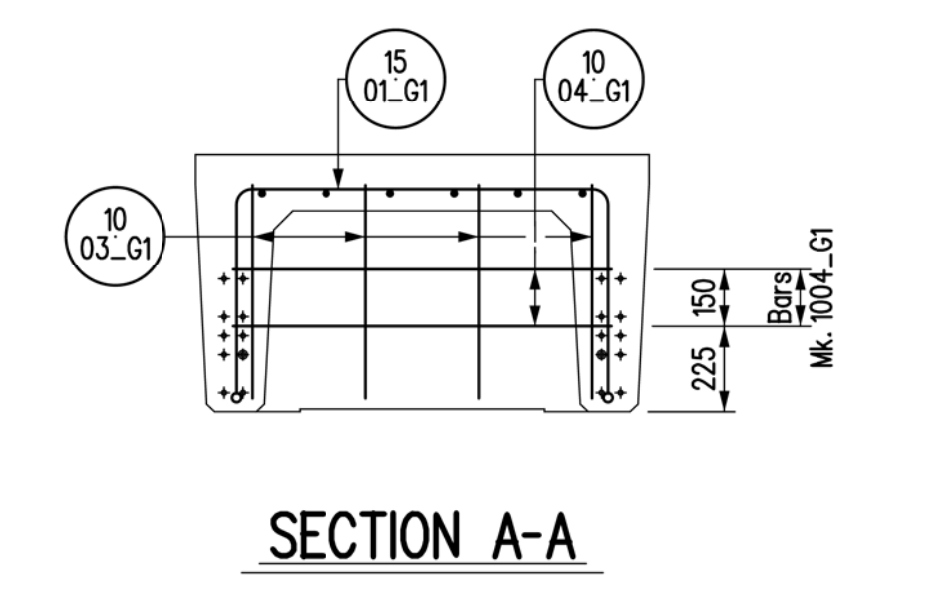
ELEVATION OF GIRDER



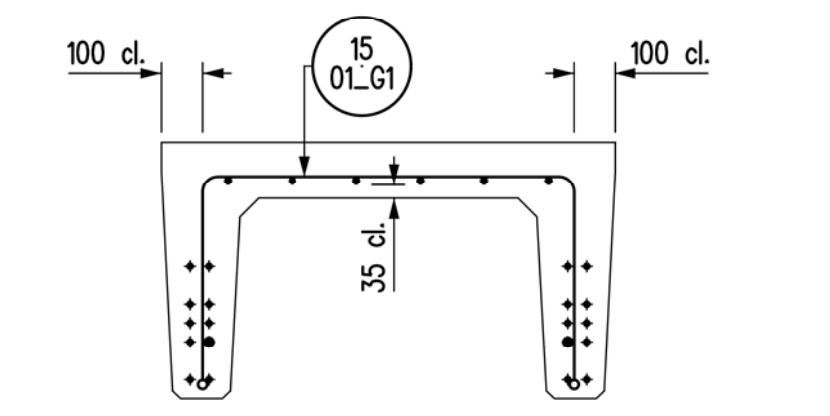
PART SECTION D-D



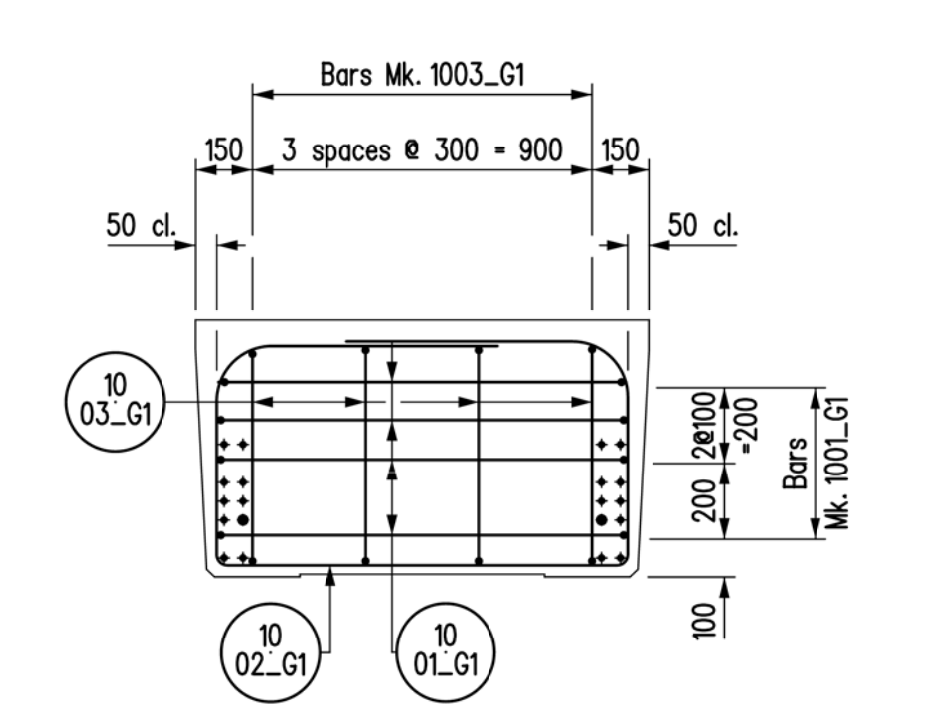
DETAIL AT RAILPOST ANCHOR  
Scale 1:10



SECTION A-A



SECTION B-B



END VIEW C-C

NOTES:

1. Concrete cover shall be 25 mm unless noted otherwise.
2. Reinforcing details are typical for all 12 m girders unless noted otherwise.
3. Bar Mark labels with suffix .G1 are Exterior girders and suffix .G2 are Interior girders. See Bill of Reinforcing Sheet No. G.

<b>REVISIONS</b>		<b>PRECAST PRESTRESSED CHANNEL GIRDER DETAILS</b>			
<b>DATE</b>	<b>BY</b>	<b>DESCRIPTION</b>			
		DESIGN SEAL	RECORD SEAL		
PLACE ENGINEERS ELECTRONIC SEAL HERE					
DESIGN BY: <u>        </u> B.A.N. CHECKED: <u>        </u>		RELEASED FOR CONSTRUCTION BY:			
		EXECUTIVE DIRECTOR OF STRUCTURES    DATE SCALE: <u>        </u> SHEET No. <u>        </u> G4 or as shown    SITE No. <u>        </u>			



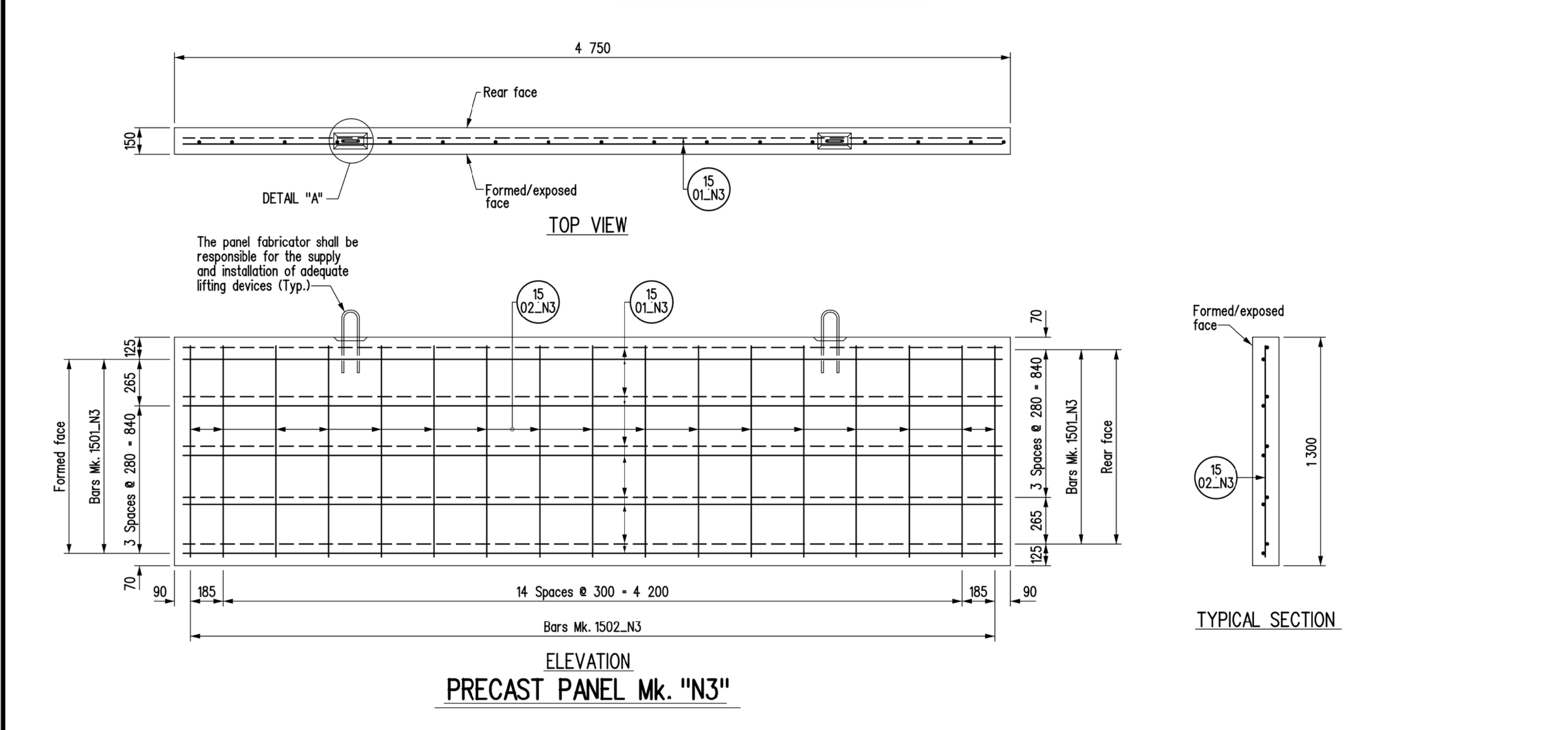
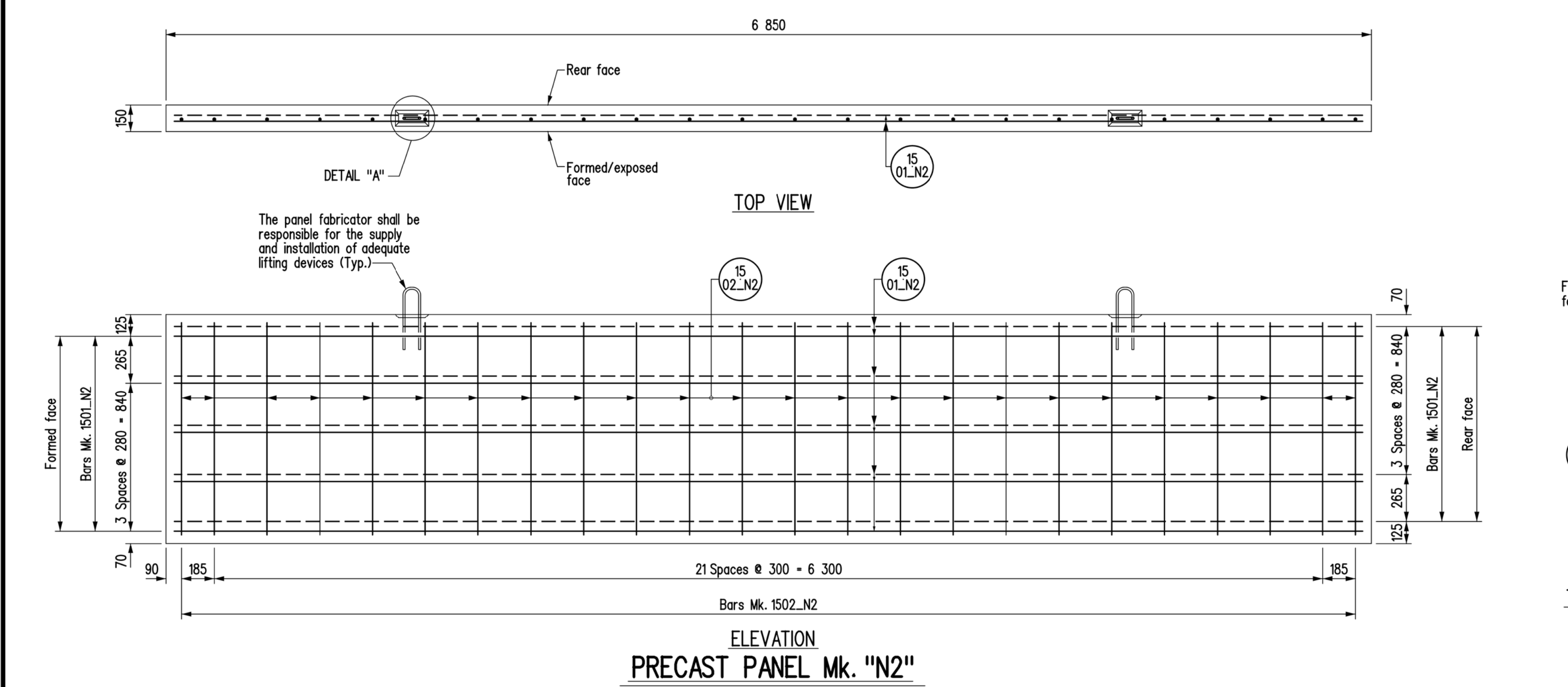
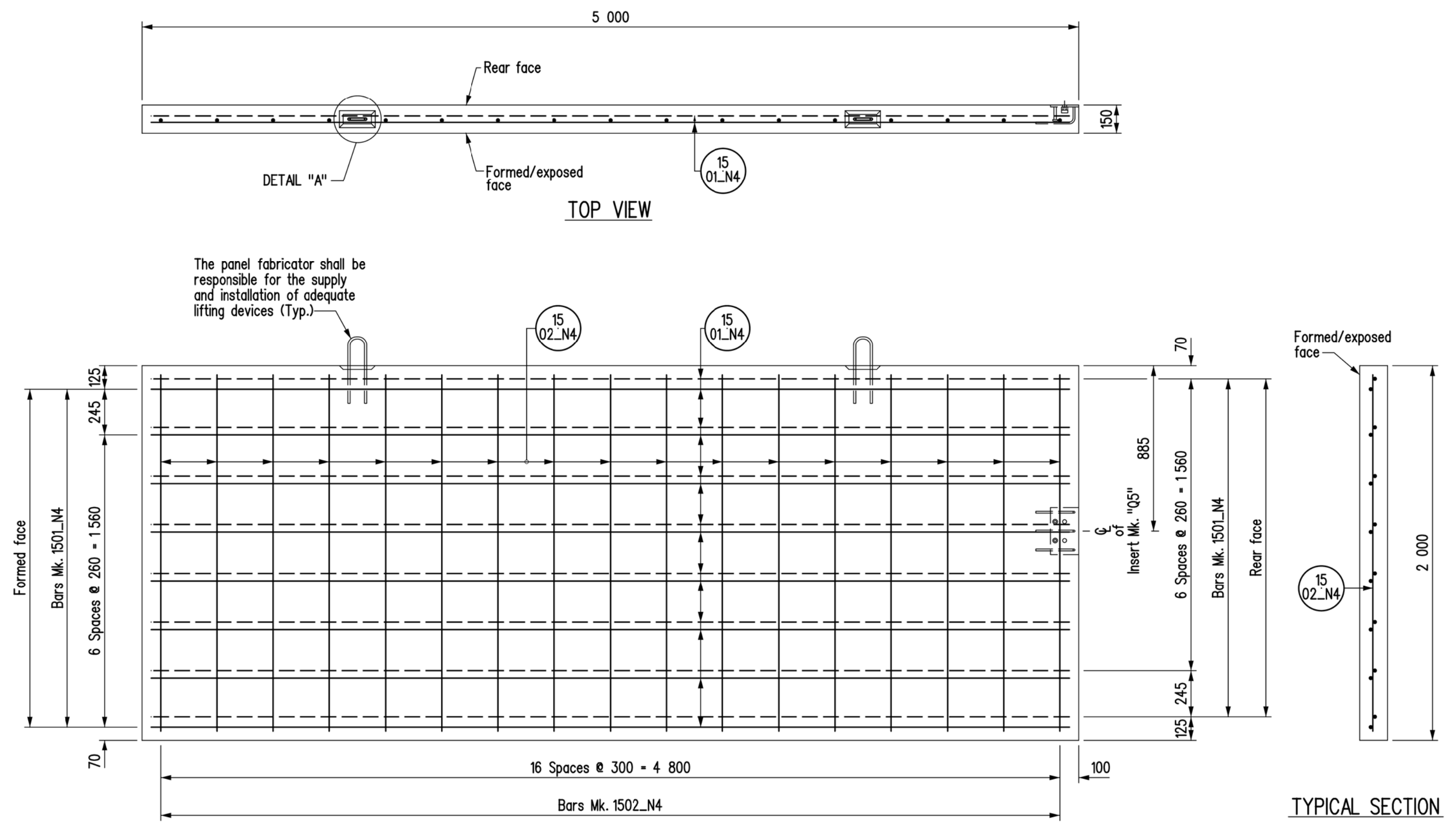
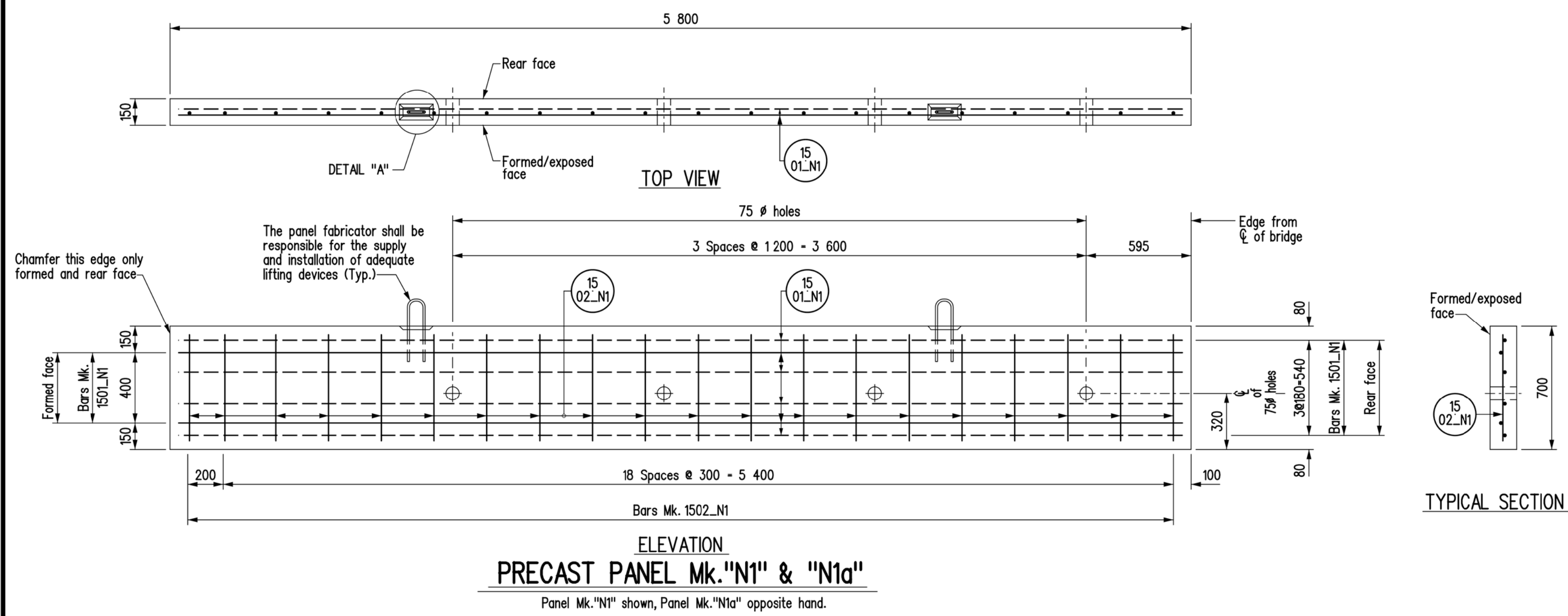
BILL OF REINFORCING STEEL - 12 M GIRDERS								SITE No.
MARK	TYPE	PIN DIAMETER	LENGTH	GIRDER TYPE	No. of GIRDERS	No. of BARS PER GIRDER	TOTAL No. of BARS PER GIRDER TYPE	BENDING DIAGRAM
1001_G1	BENT	45	4 080	G1	4	8	32	
1002_G1	BENT	45	3 660	G1	4	10	40	
1003_G1	BENT	45	2 950	G1	4	8	32	
1004_G1	STR		1 000	G1	4	4	16	
1501_G1	BENT	65	2 440	G1	4	41	164	
1502_G1	STR		10 300	G1	4	8	32	
1503_G1	STR		1 100	G1	4	12	48	
1001_G2	BENT	45	4 080	G2	12	8	96	
1002_G2	BENT	45	3 660	G2	12	10	120	
1003_G2	BENT	45	2 950	G2	12	8	96	
1004_G2	STR		1 000	G2	12	4	48	

BILL OF REINFORCING STEEL - 12 M GIRDERS								SITE No.
MARK	TYPE	PIN DIAMETER	LENGTH	GIRDER TYPE	No. of GIRDERS	No. of BARS PER GIRDER	TOTAL No. of BARS PER GIRDER TYPE	BENDING DIAGRAM
1501_G2	BENT	65	2 440	G2	12	41	492	
1502_G2	STR		10 300	G2	12	8	96	
1503_G2	STR		1 100	G2	12	12	144	
Total volume of structural concrete per exterior girder							4.94 m³	
Total volume of structural concrete per interior girder							4.93 m³	
<b>NOTES:</b>								
1. All dimensions given in bending diagram are out to out, except radii and extensions on 90°, 135° & 180° hooks. Extensions on 90°, 135° & 180° hooks are the "A" or "G" dimensions for standard 90°, 135° & 180° hooks referenced from the RSIC "Manual of Standard Practice". Radii are inside dimensions. All reinforcing steel bends and hooks shall conform to Clause 6.6.2 of C.S.A. A23.1-04, unless noted otherwise in the BILL OF REINFORCING STEEL.								
2. All reinforcing steel shall be deformed steel, unless noted otherwise in the BILL OF REINFORCING STEEL.								
3. All reinforcing steel shall conform to CSA G30.18-M92 "Billet Steel Bars for Concrete Reinforcement" Grade 400W, unless noted otherwise in the BILL OF REINFORCING STEEL.								
4. Like bars shall be bundled, securely tied and identified as to Mark and Site No. by appropriate means. All other items to be identified in a similar fashion.								
5. All bars shall be bent in accordance with the following detail:								

REVISIONS		PRECAST PRESTRESSED CHANNEL GIRDER DETAILS	
DATE	BY		
		 Water Management and Structures	
		RELEASED FOR CONSTRUCTION BY:	
		EXECUTIVE DIRECTOR OF STRUCTURES	DATE
		SCALE:	SHEET No. <u>65</u>
		SITE No. <u> </u>	

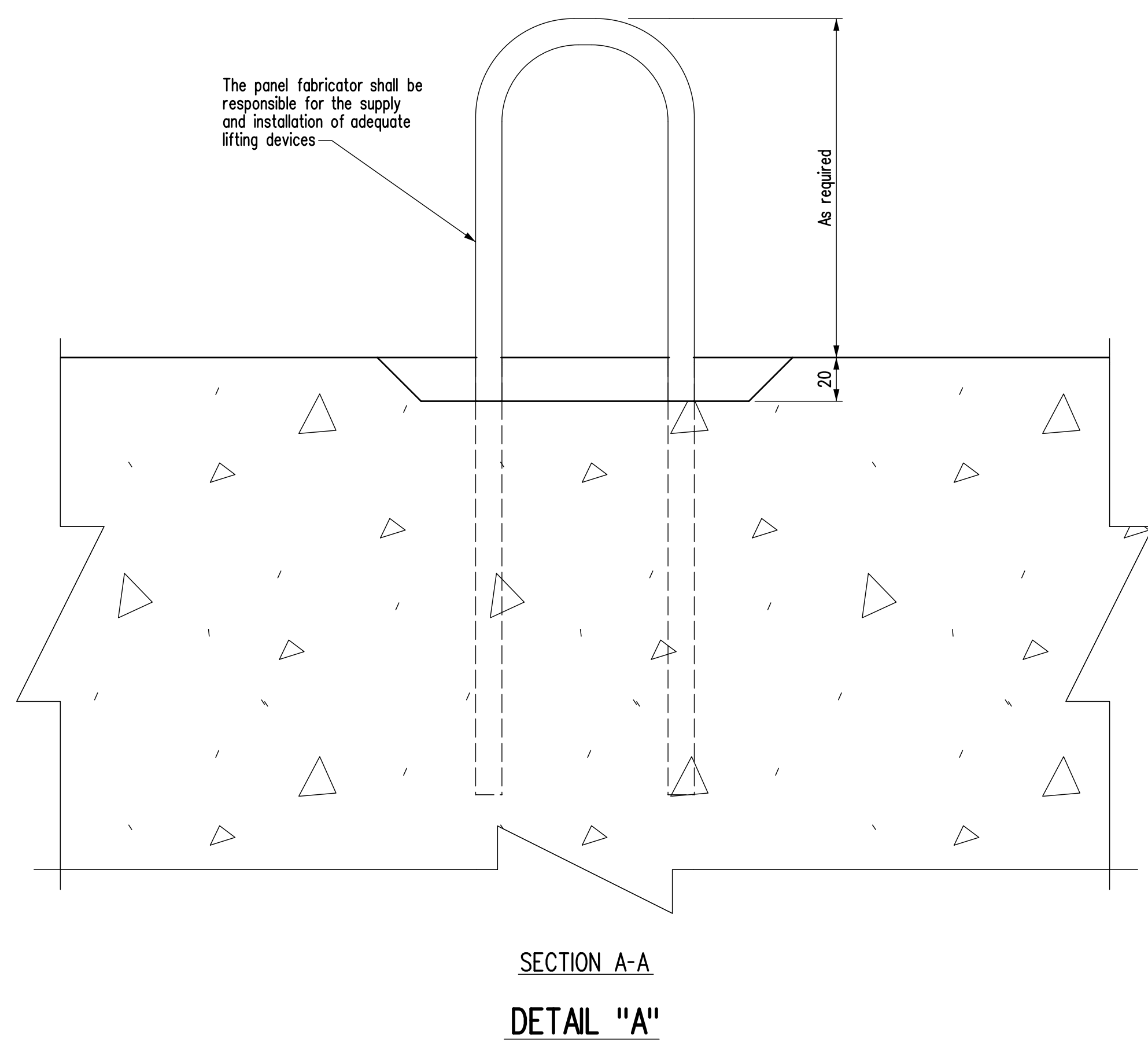
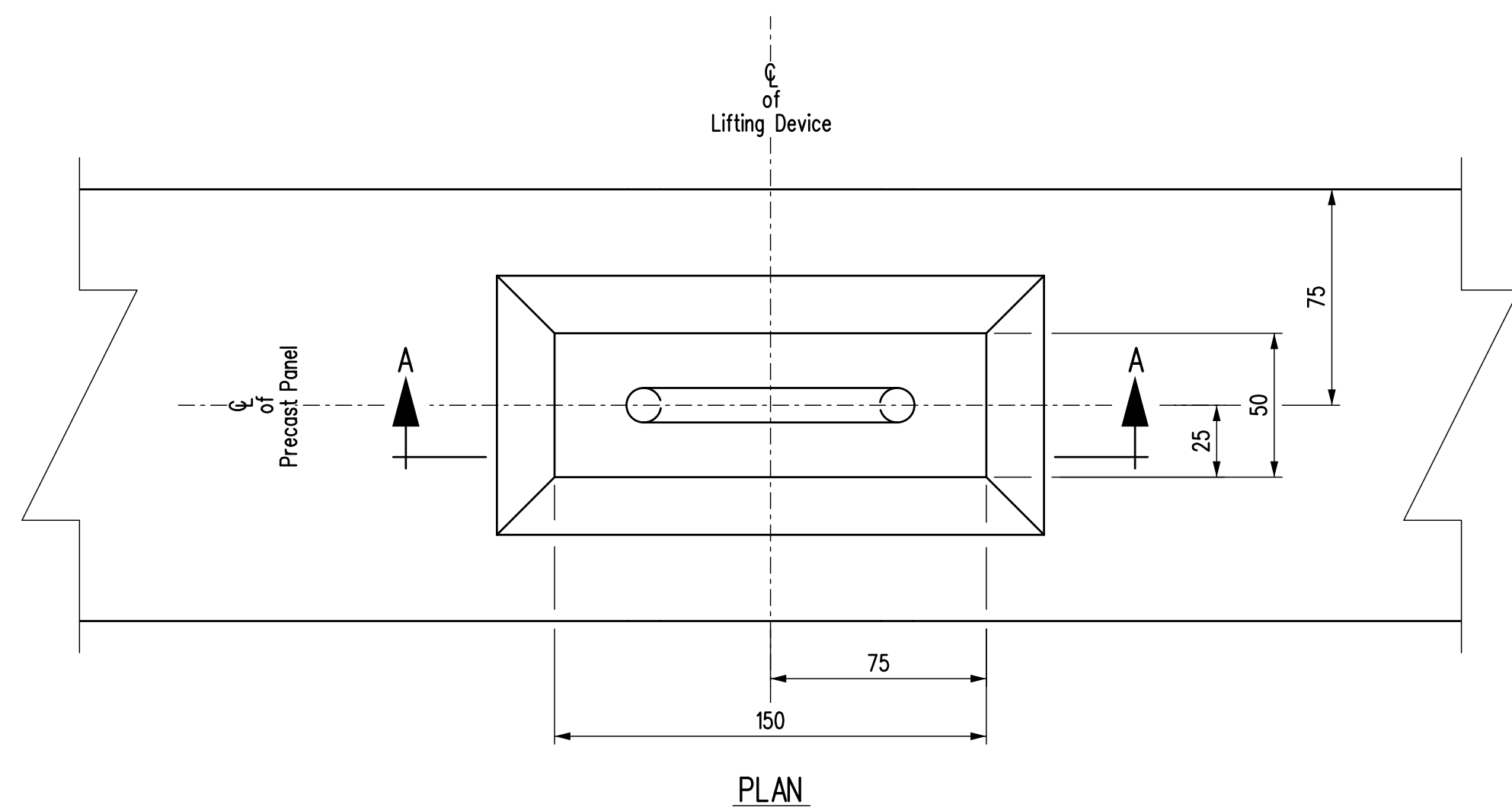
DESIGN SEAL	RECORD SEAL
<b>PLACE ENGINEERS ELECTRONIC SEAL HERE</b>	

DESIGN	BY: <u>B.A.N.</u>
CHECKED:	
DETAILS	BY: <u>K.P.</u>
CHECKED:	



- NOTES:**
- All panel exposed edges to be chamfered 20 mm except no chamfer on panels Mk. "N1" & "N1a", or if shown.
  - Mark reinforcing steel location on the edges of the back face of panels after casting.
  - Concrete cover shall be 50 mm unless noted otherwise.
  - Formed face to be placed as exposed face during construction.
  - After precast panel installation, all lifting devices to be cut-off flush and grouted as directed by Engineer.
  - For DETAIL "A" see sheet No. P2.
  - For BILL OF REINFORCING STEEL see Sheet No. P2.

REVISIONS		PRECAST PANEL DETAILS	
		20___/___/___ ISSUED FOR CONSTRUCTION	RELEASED FOR CONSTRUCTION BY:
DATE	BY	DESCRIPTION	EXECUTIVE DIRECTOR OF STRUCTURES DATE
DESIGN SEAL		RECORD SEAL	
PLACE ENGINEERS ELECTRONIC SEAL HERE		SCALE: 1:20	SHEET No. P1
		BY: B.A.N./...	or as shown
		CHECKED:	SITE No.



### BILL OF REINFORCING FOR PRECAST PANELS

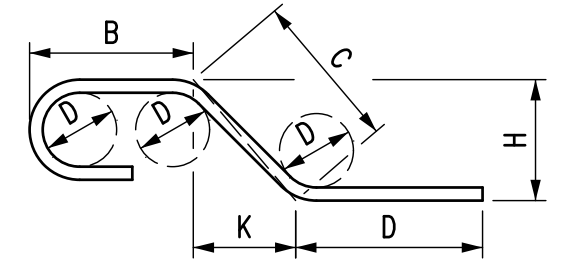
SITE No. \_\_\_\_\_

MARK	TYPE	PIN DIAMETER	LENGTH	PANEL TYPE	No. of PANELS	No. of BARS PER PANEL	TOTAL No. of BARS PER PANEL TYPE	BENDING DIAGRAM
1501_N1	STR		5 700	N1	2	6	12	
1502_N1	STR		600	N1	2	20	40	
1501_N1a	STR		5 700	N1a	2	6	12	
1502_N1a	STR		600	N1a	2	20	40	
1501_N2	STR		6 750	N2	2	10	20	
1502_N2	STR		1 200	N2	2	24	48	
1501_N3	STR		4 650	N3	2	10	20	
1502_N3	STR		1 200	N3	2	17	34	
1501_N4	STR		4 900	N4	2	16	32	
1502_N4	STR		1 900	N4	2	17	34	
1501_N4a	STR		4 900	N4a	2	16	32	
1502_N4a	STR		1 900	N4a	2	17	34	

Total mass of reinforcing steel							1497.78	kg
Panel Type	N1	N1a	N2	N3	N4	N4a		
Area m²/panel	4.10	4.10	8.90	6.20	10.00	10.00		
Total area of precast Panels							86.60	m²

**NOTES:**

- All dimensions given in bending diagram are out to out, except radii and extensions on 90°, 135° & 180° hooks. Extensions on 90°, 135° & 180° hooks are the "A" of "C" dimensions for standard 90°, 135° & 180° hooks referenced from the RSC "Manual of Standard Practice". Radii are inside dimensions. All reinforcing steel bends and hooks shall conform to Clause 6.6.2 of C.S.A. A23.1-04, unless noted otherwise in the BILL OF REINFORCING STEEL.
- All reinforcing steel shall be deformed steel, unless noted otherwise in the BILL OF REINFORCING STEEL.
- All reinforcing steel shall conform to CSA G30.18-M92 "Billet Steel Bars for Concrete Reinforcement" Grade 400W, unless noted otherwise in the BILL OF REINFORCING STEEL.
- Like bars shall be bundled, securely tied and identified as to Mark and Site No. by appropriate means. All other items to be identified in a similar fashion.
- All bars shall be bent in accordance with the following detail:



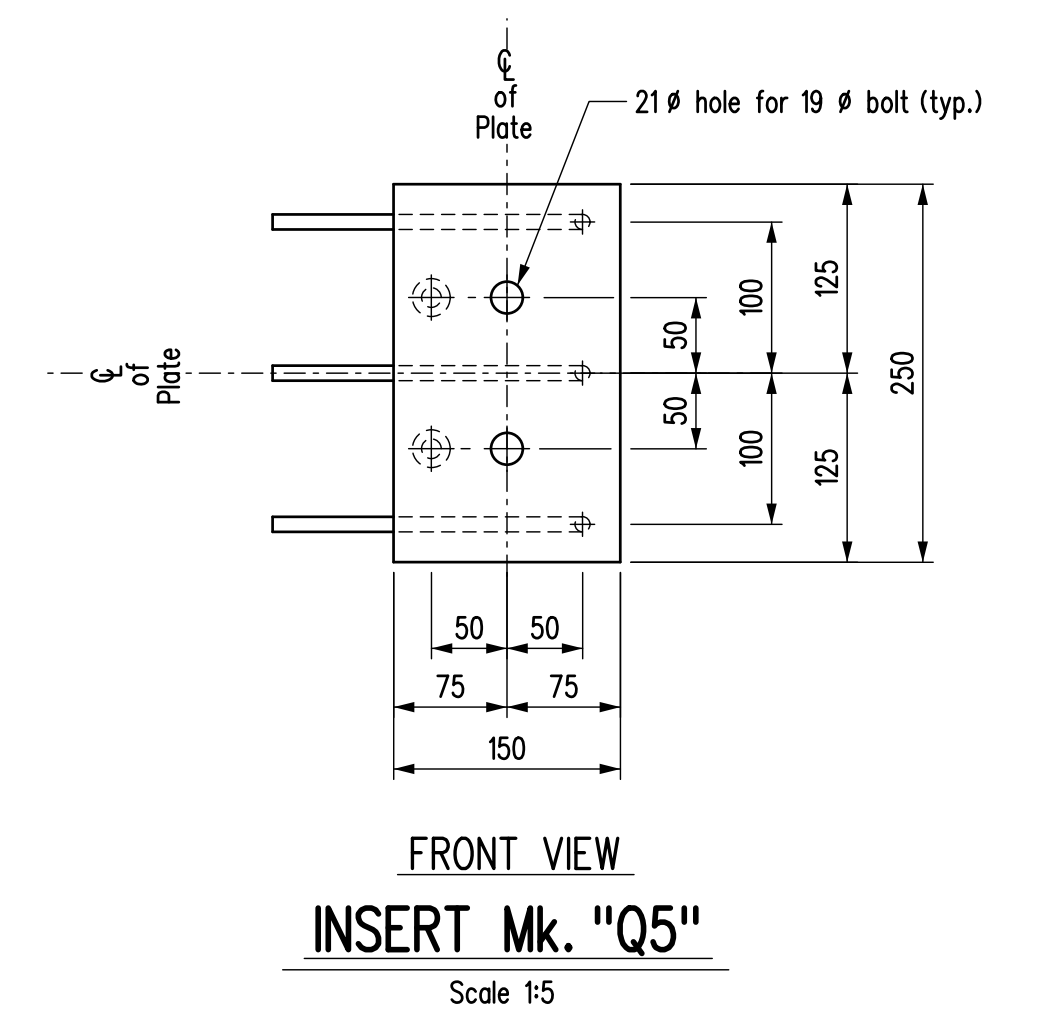
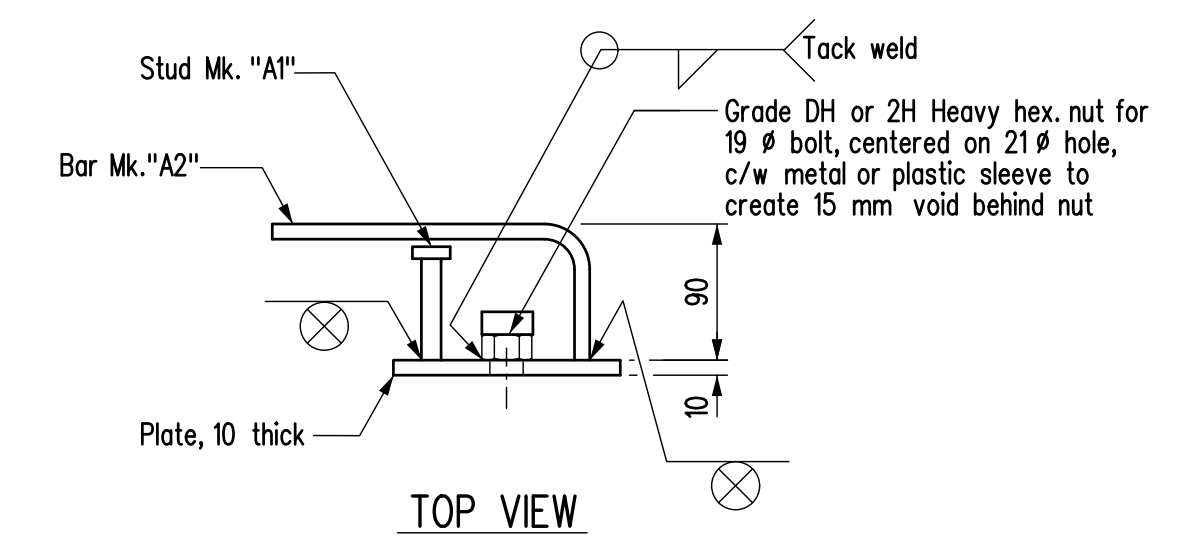
### BILL OF MISCELLANEOUS METAL for PRECAST PANELS

SITE No. \_\_\_\_\_

MARK No.	No.	DESCRIPTION	CORROSION PROTECTION	SIZE	LENGTH	REMARKS
Q5	4	Insert units	Hot dip galvanized			
		Each unit is fabricated from:				
		Steel plate		PL 10 x 150	250	As detailed
		2 - Studs Mk. "A1"		13 dia.	75	Nelson headed concrete anchors, Type H4L, Part No. 101-053-002 - As detailed
		3 - Bars Mk. "A2"		10 dia.	300	Nelson deformed bar anchors, Type D2L, Part No. 101-064-537 - As detailed
		2 - Heavy hex. nuts		for 19 dia. bolt		Grade DH or 2H heavy hex. nut, c/w metal or plastic sleeve
R34	8	A325 bolt c/w F436 hardened washer		19 dia.	60	

**NOTES:**

- All material noted in the above Bill shall be hot dip galvanized after fabrication in accordance with CSA G164 for a minimum net retention of 610 g/m² unless otherwise stated in the specified material ASTM standards. The fabricator and galvanizer shall safeguard against embrittlement using recommended practices from applicable standards.
- Seal all welds prior to galvanizing.
- All structural steel to be CSA G40.21 Grade 300W.
- All bolts and inserts in the above Bill shall be Imperial thread.



**NOTES:**

- For location of DETAIL "A" see sheet No. P1.
- Precast panel concrete strength: f'c = 35 MPa.

REVISIONS			PRECAST PANEL DETAILS			
			<p>Manitoba Infrastructure</p> <p>Water Management and Structures</p> <p>BY: _____ B.A.N./_____</p> <p>CHECKED: _____</p> <p>BY: _____</p> <p>CHECKED: _____</p>			
20_/_/_	ISSUED FOR CONSTRUCTION					
DATE	BY	DESCRIPTION				
DESIGN SEAL		RECORD SEAL				
<p>PLACE ENGINEERS ELECTRONIC SEAL HERE</p>			<p>RELEASED FOR CONSTRUCTION BY:</p>		<p>EXECUTIVE DIRECTOR OF STRUCTURES</p> <p>DATE</p>	
			DESIGN	BY	SCALE:	SHEET No. _____
			DETAILS	BY	1:2	P2
				CHECKED	or as shown	SITE No. _____
				CHECKED		